



Rail Brake
RB15, RB20, RB25, RB30, RB35, and RB45

FORM NO. L-21182-H-0508

In accordance with Nexen's established policy of constant product improvement, the specifications contained in this manual are subject to change without notice. Technical data listed in this manual are based on the latest information available at the time of printing and are also subject to change without notice.

Technical Support: 800-843-7445
(651) 484-5900

www.nexengroup.com



DANGER

Read this manual carefully before installation and operation.

Follow Nexen's instructions and integrate this unit into your system with care.

This unit should be installed, operated and maintained by qualified personnel ONLY.

Improper installation can damage your system or cause injury or death.

Comply with all applicable codes.

Nexen Group, Inc.
560 Oak Grove Parkway
Vadnais Heights, Minnesota 55127

ISO 9001 Certified

Copyright 2007 Nexen Group, Inc.

FORM NO. L-21182-H-0508

2



SIT S.A. | Tfn. 943 457200 | atencioncliente@sitsa.es | www.sitsa.es

Table of Contents

Installation	4
Required Tools.....	4
Air Preparation.....	4
Lubrication.....	4
Air Connections.....	5
Mounting on a Rail	5
Gap Adjustment.....	6
Friction Facing Replacement.....	7
Service Restrictions	7
Warranty	8

INSTALLATION

REQUIRED TOOLS

- Clean, pressurized air
- Mounting bolts and appropriate wrench
(See Table 1)

Accessories

- 4 mm [5/32 inch] soft air tubing
- Air valve
- Quick exhaust valve (optional)

AIR PREPARATION

NOTE: Nexen's Rail Brake units require clean, pressure-regulated air to maintain product function. Lubricated air may be used, but it is not required. The seals in all Nexen Rail Brakes are lubricated at the factory to ensure optimal performance and a long product life.



WARNING

While the lubricated air will keep the seals well lubricated, it may wash away the factory applied lubrication over time. For this reason, once lubricated air is used with a Nexen Rail Brake, it must always be used. Discontinuing use of lubricated air may cause seal failure.

The most effective and economical way to lubricate Nexen Rail Brakes is with an Air Line Lubricator, which injects oil into the pressurized air, forcing an oil mist into the air chamber.

Synthetic lubricants are not recommended.

AIR CONNECTIONS



DANGER

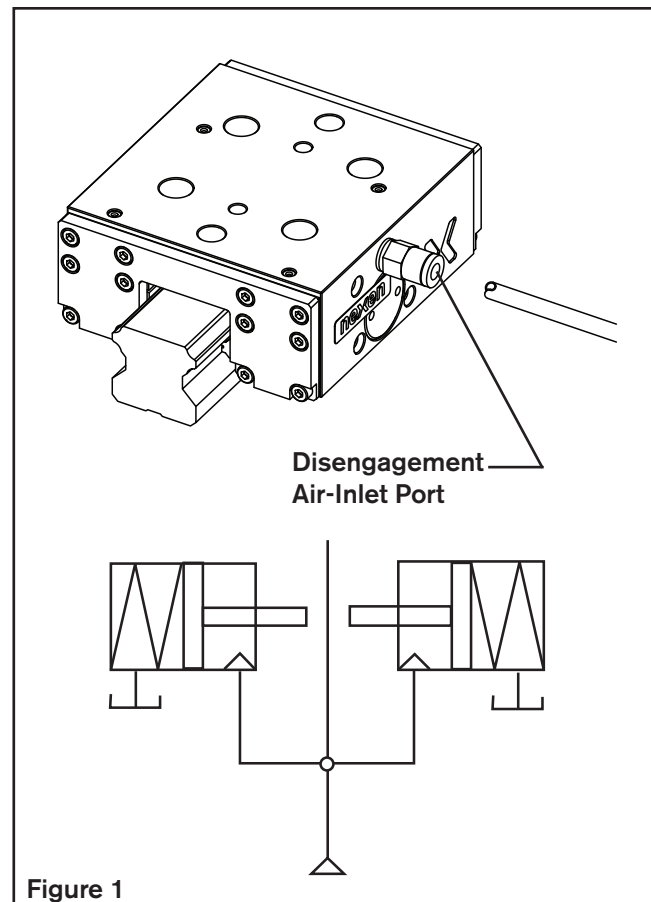
Support the load before disengaging the Rail Brake. Failure to support the load may result in serious injury or death.

The Rail Brake is equipped with one air inlet port used to disengage the brake (Refer to Figure 1 for location).

NOTE: Clean air is important for proper Rail Brake functioning. Debris inside the Rail Brake may inhibit performance and/or decrease product life.

1. Route clean air to the Rail Brake using soft lines. Supply adequate air pressure to ensure complete disengagement.

NOTE: For faster engagement and disengagement, install the valve close to the Rail Brake. Increasing air pressures will also speed the disengagement time, but do not exceed 6.9 bar [100 psi] air pressure.



MOUNTING ON A RAIL

IMPORTANT!
CAREFULLY FOLLOW STEPS 1 - 4 TO ENSURE A SUCCESSFUL RAIL BRAKE INSTALLATION.

1. **SPRING-ENGAGED MODELS ONLY.** Apply air pressure to disengage the Rail Brake.

NOTE: Rail Brake must be disengaged with a minimum of 80 psi before mounting on a rail. (Refer to AIR CONNECTIONS for details).

2. **AIR-ENGAGED AND SPRING-ENGAGED RAIL BRAKES.** Slide the Rail Brake onto the end of the rail, "X"-end first. Orient the air inlet opposite of the rail mounting shoulder. Position the Rail Brake close to its final mounting position (Refer to Figure 2).

IMPORTANT!
The Rail Brake does not have internal bearings, so it must be tied into a linear bearing system.

IMPORTANT!
Align both the Rail Brake and linear bearing to the same reference edge on the mounting plate to ensure accurate positioning of the brake to the rail. Positioning is critical to ensure a brake facing to rail clearance of 0.002 - 0.003 inches. Use the linear rail manufacturer's mounting procedures for rail guide systems to produce the accuracy necessary for optimum performance.

3. Engage the rail brake to the rail.
 - **AIR-ENGAGED BRAKES:** Install an even amount of shims between the rail and the brake facing, and apply 80 psi air pressure to the air inlet. The shim stock will be in the 0.002 - 0.004 inch range.

- **SPRING-ENGAGED BRAKES:** Release the air pressure to engage the brake on the rail.

4. Fasten the customer supplied mounting (transition) plate to the rail brake and the linear bearing using customer standard socket head cap screws. (Refer to Table 1 for cap screw sizes) (Refer to Figure 3 for mounting configuration).

IMPORTANT!
The rail brake must be engaged on the rail during the installation of the mounting plate.

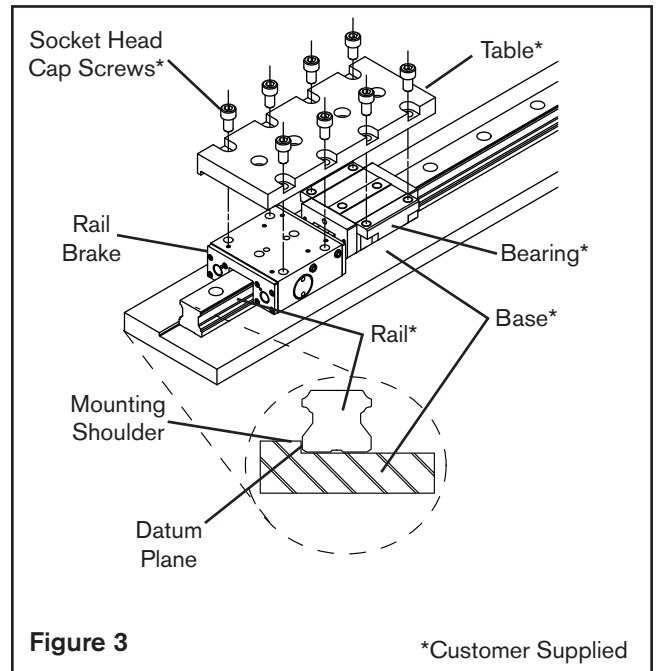
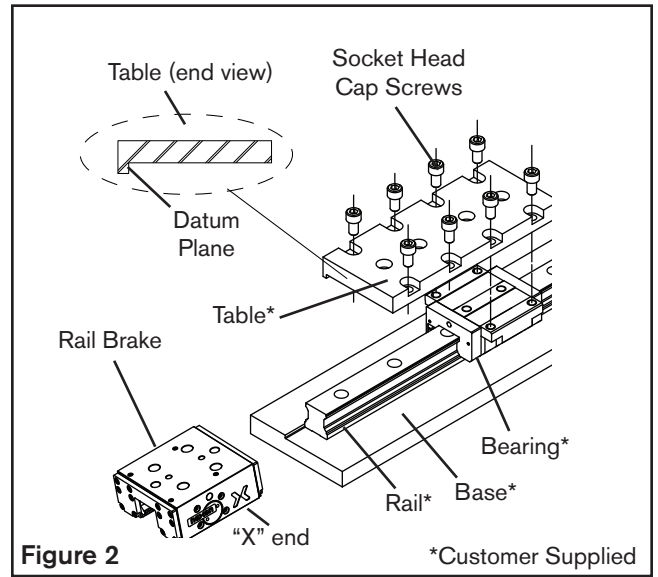


Table 1

Model	Socket Head Cap Screw ¹ Size
RB15	M5 x 0.8
RB20	M6 x 1.0
RB25	M8 x 1.25
RB30	M10 x 1.5
RB35	M10 x 1.5
RB45	M12 x 1.75

¹Important: Do not use flat-head screws for this installation.

FRICION FACING GAP ADJUSTMENT

Friction Facing Gap Adjustment may not be necessary in all instances. Gap is factory set to accommodate standard rail sizes. Before adjusting the gap, try sliding the Rail Brake onto the rail, "X" end first. If the fit is too tight, follow the adjustment steps below.

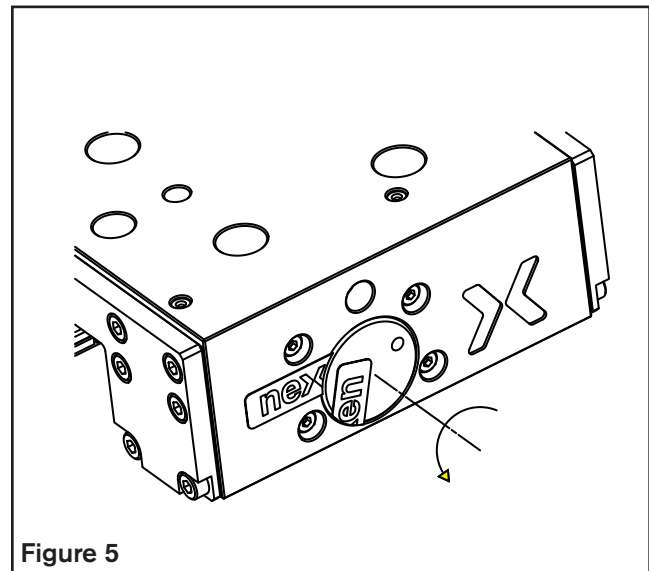
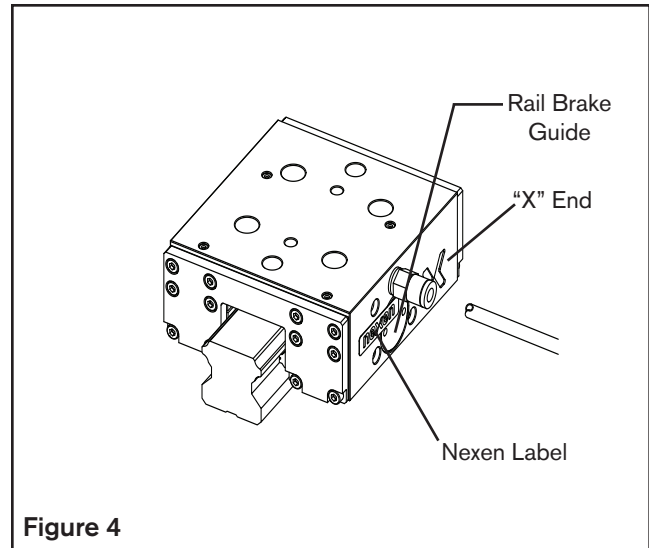
NOTE: To achieve its high force, the Rail Brake must maintain a close fit with the sides of the rail (0.002"-0.003"). The Rail Brake should have a sliding fit with the rail. A small amount of drag should be expected.

Rail Brake Guides are threaded into the Housing and are restricted from rotating by a Nexen label that goes between the Housing and the Guide (Refer to Figure 4).

1. Apply air pressure to disengage the Rail Brake.
2. Cut the label between the Housing and the Guide using a straight edge. Leave the label in place so it can act as a reference to the original position of the Guide.
3. Adjust the position of the facing by turning the Guides on each side of the Housing counterclockwise to back the Guides out of the Housing (Refer to Figure 5).

A quarter turn should be sufficient to widen the friction facing gap enough for the Rail Brake to slide onto the rail.

4. Slide the Rail Brake onto the rail. Position the Rail Brake close to its final mounting position (Refer to Figure 2).
5. Release the air pressure to center the brake on the rail.
6. Using customer supplied bolts, fasten the customer supplied mounting plate to the Rail Brake and rail bearing (Refer to Table 1 for Bolt Sizes) (Refer to Figure 3).
7. Apply 80 psi air pressure to the brake.
8. Turn the Guides on each side of the Housing to achieve a .002" to .003" clearance between the rail and the brake facing.

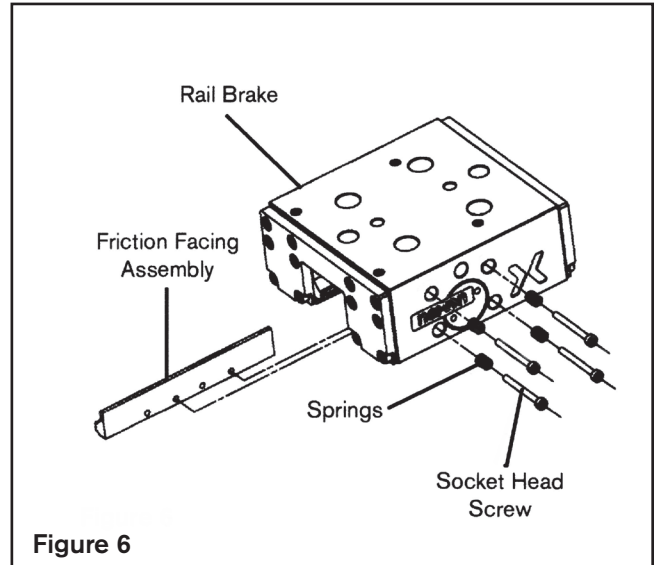


FRICITION FACING REPLACEMENT

DANGER

Support the load before disengaging the Rail Brake. Failure to support the load may result in serious injury or death.

1. With the load supported, remove the customer supplied socket head cap screws from the Rail Brake to free it from the plate/bearing assembly.
2. Apply air pressure to disengage the Rail Brake.
3. Slide the Rail Brake off the rail.
4. Using an Allen wrench, remove the socket head screws and springs that fasten each Friction Facing to the Rail Brake and discard the old Friction Facing (Refer to Figure 6).
5. Apply a thread locking compound to the socket head screws.
6. Position the new Friction Facings on the Rail Brake and hand-tighten the socket screws.
7. Follow the instructions in the INSTALLATION section to reinstall the Rail Brake.



SERVICE RESTRICTIONS

NOTE: The Rail Brake assembly is designed for extended service life. Due to this long product life, stored spring energy, and the complexity of the internal components, Nexen recommends that all service be performed by trained personnel.

Do not attempt to remove or dismantle any part of the Rail Brake assembly. This product is spring loaded and under pressure. If the product malfunctions, replace the unit or contact Nexen.

WARRANTY

Warranties

Nexen warrants that the Products will be free from any defects in material or workmanship for a period of 12 months from the date of shipment. NEXEN MAKES NO OTHER WARRANTY, EXPRESS OR IMPLIED, AND ALL IMPLIED WARRANTIES, INCLUDING WITHOUT LIMITATION, IMPLIED WARRANTIES OF MERCHANTABILITY AND FITNESS FOR A PARTICULAR PURPOSE ARE HEREBY DISCLAIMED. This warranty applies only if (a) the Product has been installed, used and maintained in accordance with any applicable Nexen installation or maintenance manual for the Product; (b) the alleged defect is not attributable to normal wear and tear; (c) the Product has not been altered, misused or used for purposes other than those for which it was intended; and (d) Buyer has given written notice of the alleged defect to Nexen, and delivered the allegedly defective Product to Nexen, within one year of the date of shipment.

Exclusive Remedy

The exclusive remedy of the Buyer for any breach of the warranties set out above will be, at the sole discretion of Nexen, a repair or replacement with new, serviceably used or reconditioned Product, or issuance of credit in the amount of the purchase price paid to Nexen by the Buyer for the Products.

Limitation of Nexen's Liability

TO THE EXTENT PERMITTED BY LAW NEXEN SHALL HAVE NO LIABILITY TO BUYER OR ANY OTHER PERSON FOR INCIDENTAL DAMAGES, SPECIAL DAMAGES, CONSEQUENTIAL DAMAGES OR OTHER DAMAGES OF ANY KIND OR NATURE WHATSOEVER, WHETHER ARISING OUT OF BREACH OF WARRANTY OR OTHER BREACH OF CONTRACT, NEGLIGENCE OR OTHER TORT, OR OTHERWISE, EVEN IF NEXEN SHALL HAVE BEEN ADVISED OF THE POSSIBILITY OR LIKELIHOOD OF SUCH POTENTIAL LOSS OR DAMAGE. For all of the purposes hereof, the term "consequential damages" shall include lost profits, penalties, delay images, liquidated damages or other damages and liabilities which Buyer shall be obligated to pay or which Buyer may incur based upon, related to or arising out of its contracts with its customers or other third parties. In no event shall Nexen be liable for any amount of damages in excess of amounts paid by Buyer for Products or services as to which a breach of contract has been determined to exist. The parties expressly agree that the price for the Products and the services was determined in consideration of the limitation on damages set forth herein and such limitation has been specifically bargained for and constitutes an agreed allocation of risk which shall survive the determination of any court of competent jurisdiction that any remedy herein fails of its essential purpose.

Limitation of Damages

In no event shall Nexen be liable for any consequential, indirect, incidental, or special damages of any nature whatsoever, including without limitation, lost profits arising from the sale or use of the Products.

Warranty Claim Procedures

To make a claim under this warranty, the claimant must give written notice of the alleged defect to whom the Product was purchased from and deliver the Product to same within one year of the date on which the alleged defect first became apparent.

nexen[®]

Nexen Group, Inc.
560 Oak Grove Parkway
Vadnais Heights, MN 55127

800.843.7445
Fax: 651.286.1099
www.nexengroup.com

ISO 9001 Certified