

Spring-Engaged Rod/Shaft Lock RL15

FORM NO. L-21170-A-0803

In accordance with Nexen's established policy of constant product improvement, the specifications contained in this manual are subject to change without notice. Technical data listed in this manual are based on the latest information available at the time of printing and are also subject to change without notice.

Technical Support: 800-843-7445
(651) 484-5900

www.nexengroup.com



DANGER

Read this manual carefully before installation and operation.

Follow Nexen's instructions and integrate this unit into your system with care.

This unit should be installed, operated and maintained by qualified personnel **ONLY**.

Improper installation can damage your system or cause injury or death.

Comply with all applicable codes.

Nexen Group, Inc.
560 Oak Grove Parkway
Vadnais Heights, Minnesota 55127

ISO 9001 Certified

INSTALLATION

1. Apply a constant supply of at least 4.8 bar (70 PSI) to the rod lock device.
2. Remove the supplied rod from the inside of the lock and keep for future use.
3. Carefully work the new rod past the seal and through the rod lock assembly.
4. When the rod is in the desired position, engage the lock by removing air pressure.
5. A variety of mounting configurations are available; mount the rod lock as desired. The rod lock unit can be installed in any orientation.



CAUTION

Do not engage the rod lock without a properly sized rod in place or damage to the internal components may result.

ROD MATERIAL

- Nexen's Rod Lock must mount to a shaft that is hardened to a minimum of HRC 60 or hard-chrome plated to a minimum thickness of 20 microns [0.0008 in] or damage to the shaft may result.
- The diameter must lie in the h8 tolerance range.
Reference: USAS B4.1 - 1967(1974)
ISO 286-1 - 1988
ISO 286-2 - 1988
- The surface roughness Rmax must be 3.2 microns [16 microinch] or better.
- The rated holding force corresponds to static load conditions. If the rated value is exceeded, slippage may occur. Operating dynamic forces must not exceed the static holding force.

AIR FITTINGS



DANGER

Support the load before disengaging the Rod Lock. Failure to support the load could result in serious bodily injury.

1. The Nexen rod lock is equipped with a 1/8 inch NPT port for the air inlet. Route clean air, using soft or hard lines, supplying at least 4.8 bar [70 psi] to facilitate full disengagement.
2. The Nexen rod lock is equipped with a 1/16 inch NPT port for the internal vent. If the air quality around the application is poor, route the vent of the rod lock to a more suitable area, or use a filtered breather. Contact Nexen for available components.

NOTE: Install the valve in close proximity to the Rod Lock unit for faster engagement and disengagement.

Higher air pressures will also speed the disengagement time, but do not exceed 10.0 bar [150 psi] air pressure.

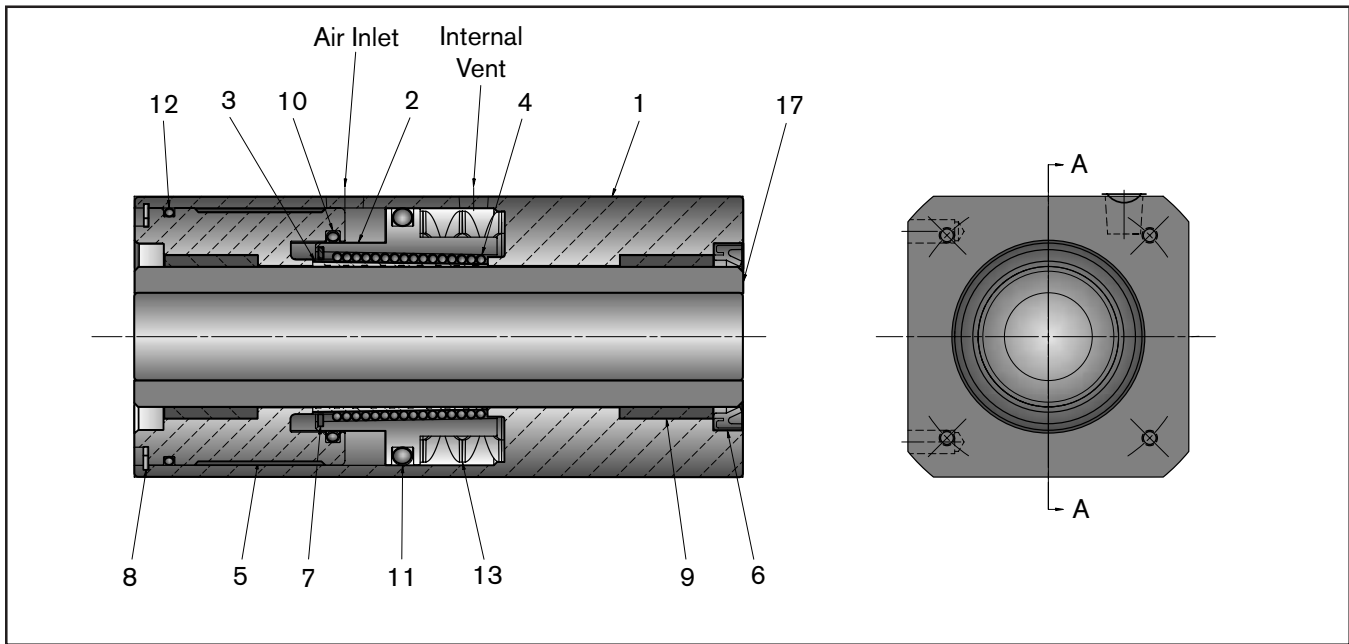
NOTE: Clean air is important for proper Rod Lock functioning. Debris inside the rod lock may inhibit performance and/or shorten the life of the product.

AIR PREPARATION

For long life, Nexen's Rod Lock requires clean and pressure regulated air (filtered to five microns or better).

Nexen does not recommend lubricated air for this product.

ROD LOCK ASSEMBLY



ITEM	DESCRIPTION	QTY
1	Housing	1
2	Piston	1
3	Friction Collar	1
4	Steel Ball	320
5	End Cap	1
6	Rod Wiper Seal	1
7	Retaining Ring	1

ITEM	DESCRIPTION	QTY
8	Retaining Ring	1
9	Sleeve Bearing	2
10	O-ring Seal	1
11	O-ring Seal	1
12	O-ring Seal	1
13	Wave Spring	1
17	Shaft	1

SERVICE

NOTE: The rod lock assembly is designed for extended service life. Due to this long product life, stored spring energy, and the complexity of the internal components, Nexen recommends that all service be performed by trained personnel.

Do not attempt to remove the retaining ring and dismantle the rod lock assembly. This product is spring loaded and under pressure. If the product malfunctions, replace the unit or contact Nexen.

WARRANTY

Warranties

Nexen warrants that the Products will be free from any defects in material or workmanship for a period of 12 months from the date of shipment. NEXEN MAKES NO OTHER WARRANTY, EXPRESS OR IMPLIED, AND ALL IMPLIED WARRANTIES, INCLUDING WITHOUT LIMITATION, IMPLIED WARRANTIES OF MERCHANTABILITY AND FITNESS FOR A PARTICULAR PURPOSE ARE HEREBY DISCLAIMED. This warranty applies only if (a) the Product has been installed, used and maintained in accordance with any applicable Nexen installation or maintenance manual for the Product; (b) the alleged defect is not attributable to normal wear and tear; (c) the Product has not been altered, misused or used for purposes other than those for which it was intended; and (d) Buyer has given written notice of the alleged defect to Nexen, and delivered the allegedly defective Product to Nexen, within one year of the date of shipment.

Exclusive Remedy

The exclusive remedy of the Buyer for any breach of the warranties set out above will be, at the sole discretion of Nexen, a repair or replacement with new, serviceably used or reconditioned Product, or issuance of credit in the amount of the purchase price paid to Nexen by the Buyer for the Products.

Limitation of Nexen's Liability

TO THE EXTENT PERMITTED BY LAW NEXEN SHALL HAVE NO LIABILITY TO BUYER OR ANY OTHER PERSON FOR INCIDENTAL DAMAGES, SPECIAL DAMAGES, CONSEQUENTIAL DAMAGES OR OTHER DAMAGES OF ANY KIND OR NATURE WHATSOEVER, WHETHER ARISING OUT OF BREACH OF WARRANTY OR OTHER BREACH OF CONTRACT, NEGLIGENCE OR OTHER TORT, OR OTHERWISE, EVEN IF NEXEN SHALL HAVE BEEN ADVISED OF THE POSSIBILITY OR LIKELIHOOD OF SUCH POTENTIAL LOSS OR DAMAGE. For all of the purposes hereof, the term "consequential damages" shall include lost profits, penalties, delay images, liquidated damages or other damages and liabilities which Buyer shall be obligated to pay or which Buyer may incur based upon, related to or arising out of its contracts with its customers or other third parties. In no event shall Nexen be liable for any amount of damages in excess of amounts paid by Buyer for Products or services as to which a breach of contract has been determined to exist. The parties expressly agree that the price for the Products and the services was determined in consideration of the limitation on damages set forth herein and such limitation has been specifically bargained for and constitutes an agreed allocation of risk which shall survive the determination of any court of competent jurisdiction that any remedy herein fails of its essential purpose.

Limitation of Damages

In no event shall Nexen be liable for any consequential, indirect, incidental, or special damages of any nature whatsoever, including without limitation, lost profits arising from the sale or use of the Products.

Warranty Claim Procedures

To make a claim under this warranty, the claimant must give written notice of the alleged defect to whom the Product was purchased from and deliver the Product to same within one year of the date on which the alleged defect first became apparent.

nexen[®]

Nexen Group, Inc.
560 Oak Grove Parkway
Vadnais Heights, MN 55127

800.843.7445
Fax: 651.286.1099
www.nexengroup.com

ISO 9001 Certified

FORM NO. L-21170-A-0803