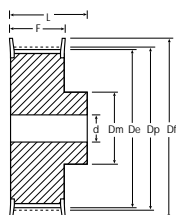


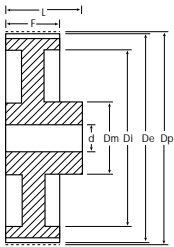
5 M HTD® - HTD®33 con agujero guía	1 - 2
8 M HTD® - HTD®33 con agujero guía	3 - 4
14 M HTD® - HTD®33 con agujero guía	5 - 6
XL 1/5" (5,08 mm) con agujero guía	7
L 3/8" (9,525 mm) con agujero guía	8 - 9
H 1/2 (12,7 mm) con agujero guía	10 - 12
AT5 (5 mm) con agujero guía	13 - 14
AT10 (10 mm) con agujero guía	15 - 16
Casquillos cónicos	17
5 M HTD® - HTD®33 para casquillo cónico	18
8 M HTD® - HTD®33 para casquillo cónico	19 - 20
14 M HTD® - HTD®33 para casquillo cónico	21 - 22
L 3/8" (9,525 mm) para casquillo cónico	23 - 24
H 1/2 (12,7 mm) para casquillo cónico	25 - 26
Placas de fijación para correas T5, AT5, T10, AT10, 5 M HTD® - HTD®33, 8 M HTD® - HTD®33 y 14 M HTD® - HTD®33	27
Ejecuciones especiales	28

Fig. 1F



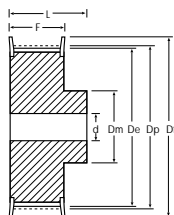
Z	ANCHO CORREA	Mat.	Fig.	Dp	De	Df	Dm	Di	F	L	d
12	9	AC	1F	19,10	17,96	25,0	13,0	—	14,5	20,0	4,0
	15	AC	1F	19,10	17,96	25,0	13,0	—	20,5	26,0	4,0
	25	AC	1F	19,10	17,96	25,0	13,0	—	30,5	36,0	4,0
14	9	AC	1F	22,28	21,14	25,0	13,0	—	14,5	20,0	6,0
	15	AC	1F	22,28	21,14	25,0	13,0	—	20,5	26,0	6,0
	25	AC	1F	22,28	21,14	25,0	13,0	—	30,5	36,0	6,0
15	9	AC	1F	23,87	22,73	28,0	16,0	—	14,5	20,0	6,0
	15	AC	1F	23,87	22,73	28,0	16,0	—	20,5	26,0	6,0
	25	AC	1F	23,87	22,73	28,0	16,0	—	30,5	36,0	6,0
16	9	AC	1F	25,46	24,32	28,0	16,0	—	14,5	20,0	6,0
	15	AC	1F	25,46	24,32	28,0	16,0	—	20,5	26,0	6,0
	25	AC	1F	25,46	24,32	28,0	16,0	—	30,5	36,0	6,0
18	9	AC	1F	28,65	27,51	32,0	19,0	—	14,5	20,0	6,0
	15	AC	1F	28,65	27,51	32,0	19,0	—	20,5	26,0	6,0
	25	AC	1F	28,65	27,51	32,0	19,0	—	30,5	36,0	6,0
20	9	AC	1F	31,83	30,69	36,0	23,0	—	14,5	22,5	6,0
	15	AC	1F	31,83	30,69	36,0	23,0	—	20,5	26,0	6,0
	25	AC	1F	31,83	30,69	36,0	23,0	—	30,5	36,0	6,0
21	9	AC	1F	33,42	32,28	38,0	24,0	—	14,5	22,5	6,0
	15	AC	1F	33,42	32,28	38,0	24,0	—	20,5	26,0	6,0
	25	AC	1F	33,42	32,28	38,0	24,0	—	30,5	38,0	6,0
22	9	AC	1F	35,01	33,87	38,0	25,5	—	14,5	22,5	6,0
	15	AC	1F	35,01	33,87	38,0	25,5	—	20,5	26,0	6,0
	25	AC	1F	35,01	33,87	38,0	25,5	—	30,5	38,0	6,0
24	9	AC	1F	38,20	37,06	42,0	27,0	—	14,5	22,5	6,0
	15	AC	1F	38,20	37,06	42,0	27,0	—	20,5	28,0	6,0
	25	AC	1F	38,20	37,06	42,0	27,0	—	30,5	38,0	6,0
26	9	AC	1F	41,38	40,24	44,0	30,0	—	14,5	22,5	6,0
	15	AC	1F	41,38	40,24	44,0	30,0	—	20,5	28,0	6,0
	25	AC	1F	41,38	40,24	44,0	30,0	—	30,5	38,0	6,0
28	9	AC	1F	44,56	43,42	48,0	30,5	—	14,5	22,5	6,0
	15	AC	1F	44,56	43,42	48,0	30,5	—	20,5	28,0	6,0
	25	AC	1F	44,56	43,42	48,0	30,5	—	30,5	38,0	6,0
30	9	AC	1F	47,75	46,60	51,0	35,0	—	14,5	22,5	6,0
	15	AC	1F	47,75	46,60	51,0	35,0	—	20,5	28,0	6,0
	25	AC	1F	47,75	46,60	51,0	35,0	—	30,5	38,0	6,0
32	9	AC	1F	50,93	49,79	54,0	38,0	—	14,5	22,5	8,0
	15	AC	1F	50,93	49,79	54,0	38,0	—	20,5	28,0	8,0
	25	AC	1F	50,93	49,79	54,0	38,0	—	30,5	38,0	8,0
36	9	AC	1F	57,30	56,16	60,0	38,0	—	14,5	22,5	8,0
	15	AC	1F	57,30	56,16	60,0	38,0	—	20,5	28,0	8,0
	25	AC	1F	57,30	56,16	60,0	38,0	—	30,5	38,0	8,0
40	9	AC	1F	63,66	62,52	71,0	38,0	—	14,5	22,5	8,0
	15	AC	1F	63,66	62,52	71,0	38,0	—	20,5	28,0	8,0
	25	AC	1F	63,66	62,52	71,0	38,0	—	30,5	38,0	8,0

Fig. 1D



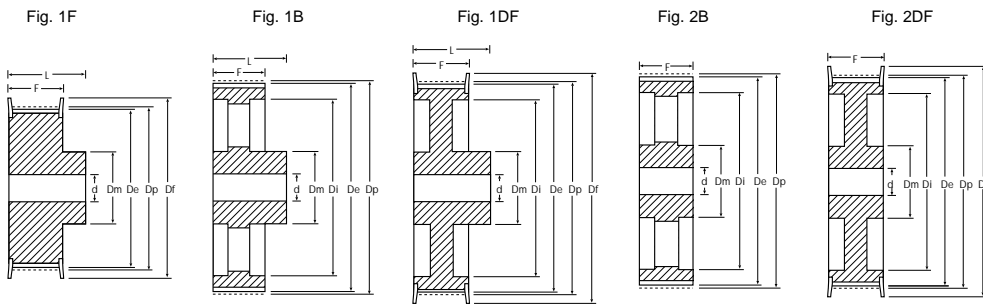
Z	ANCHO CORREA	Mat.	Fig.	Dp	De	Df	Dm	Di	F	L	d
44	9	AL	1D	70,03	68,89	—	38,0	—	14,5	25,5	8,0
	15	AL	1D	70,03	68,89	—	38,0	—	20,5	30,0	8,0
	25	AL	1D	70,03	68,89	—	38,0	—	30,5	40,0	8,0
48	9	AL	1D	76,39	75,25	—	45,0	—	14,5	25,5	8,0
	15	AL	1D	76,39	75,25	—	38,0	—	20,5	30,0	8,0
	25	AL	1D	76,39	75,25	—	38,0	—	30,5	40,0	8,0
60	9	AL	1D	95,49	94,35	—	45,0	—	14,5	25,5	8,0
	15	AL	1D	95,49	94,35	—	50,0	—	20,5	30,0	8,0
	25	AL	1D	95,49	94,35	—	50,0	—	30,5	40,0	8,0
72	9	AL	1D	114,59	113,45	—	45,0	—	14,5	25,5	8,0
	15	AL	1D	114,59	113,45	—	50,0	—	20,5	30,0	8,0
	25	AL	1D	114,59	113,45	—	50,0	—	30,5	40,0	8,0

Fig. 1F



Z	ANCHO CORREA	Mat.	Fig.	Dp	De	Df	Dm	Di	F	L	d
22	20	AC	1F	56,02	54,65	60,0	43	—	28	38	12
	30	AC	1F	56,02	54,65	60,0	43	—	38	48	12
	50	AC	1F	56,02	54,65	60,0	43	—	60	70	12
	85	AC	1F	56,02	54,65	60,0	43	—	95	105	12
24	20	AC	1F	61,12	59,75	66,0	45	—	28	38	12
	30	AC	1F	61,12	59,75	66,0	45	—	38	48	12
	50	AC	1F	61,12	59,75	66,0	45	—	60	70	12
	85	AC	1F	61,12	59,75	66,0	45	—	95	105	12
26	20	AC	1F	66,21	64,84	71,0	50	—	28	38	12
	30	AC	1F	66,21	64,84	71,0	50	—	38	48	12
	50	AC	1F	66,21	64,84	71,0	50	—	60	70	12
	85	AC	1F	66,21	64,84	71,0	50	—	95	105	12
28	20	AC	1F	71,30	70,08	75,0	50	—	28	38	15
	30	AC	1F	71,30	70,08	75,0	50	—	38	48	15
	50	AC	1F	71,30	70,08	75,0	50	—	60	70	15
	85	AC	1F	71,30	70,08	75,0	50	—	95	105	15
30	20	AC	1F	76,39	75,13	83,0	55	—	28	38	15
	30	AC	1F	76,39	75,13	83,0	55	—	38	48	15
	50	AC	1F	76,39	75,13	83,0	55	—	60	70	15
	85	AC	1F	76,39	75,13	83,0	55	—	95	105	15
32	20	AC	1F	81,49	80,16	87,0	60	—	28	38	15
	30	AC	1F	81,49	80,16	87,0	60	—	38	48	15
	50	AC	1F	81,49	80,16	87,0	60	—	60	70	15
	85	AC	1F	81,49	80,16	87,0	60	—	95	105	15
34	20	AC	1F	86,58	85,22	91,0	70	—	28	38	15
	30	AC	1F	86,58	85,22	91,0	70	—	38	48	15
	50	AC	1F	86,58	85,22	91,0	70	—	60	70	15
	85	AC	1F	86,58	85,22	91,0	70	—	95	105	15
36	20	AC	1F	91,67	90,30	98,5	70	—	28	38	15
	30	AC	1F	91,67	90,30	98,5	70	—	38	48	15
	50	AC	1F	91,67	90,30	98,5	70	—	60	70	15
	85	AC	1F	91,67	90,30	98,5	70	—	95	105	15
38	20	AC	1F	96,77	95,39	103,0	75	—	28	38	15
	30	AC	1F	96,77	95,39	103,0	75	—	38	48	15
	50	AC	1F	96,77	95,39	103,0	75	—	60	70	15
	85	AC	1F	96,77	95,39	103,0	75	—	95	105	15
40	20	GG	1F	101,86	100,49	106,0	75	—	28	38	15
	30	GG	1F	101,86	100,49	106,0	75	—	38	48	15
	50	GG	1F	101,86	100,49	106,0	75	—	60	70	18
	85	GG	1F	101,86	100,49	106,0	75	—	95	105	18
44	20	GG	1F	112,05	110,67	119,0	75	—	28	38	15
	30	GG	1F	112,05	110,67	119,0	75	—	38	48	15
	50	GG	1F	112,05	110,67	119,0	75	—	60	70	18
	85	GG	1F	112,05	110,67	119,0	75	—	95	105	18

Polea dentada con agujero guía



Z	ANCHO CORREA	Mat.	Fig.	Dp	De	Df	Dm	Di	F	L	d
48	20	GG	1F	122,23	120,86	127,0	75	—	28	38	15
	30	GG	1F	122,23	120,86	127,0	75	—	38	48	15
	50	GG	1F	122,23	120,86	127,0	80	—	60	70	18
	85	GG	1F	122,23	120,86	127,0	80	—	95	105	18
56	20	GG	1DF	142,60	141,23	148,0	80	117	28	38	15
	30	GG	1DF	142,60	141,23	148,0	90	117	38	48	15
	50	GG	2DF	142,60	141,23	148,0	90	117	60	60	18
	85	GG	1F	142,60	141,23	148,0	80	—	95	105	20
64	20	GG	1DF	162,97	161,60	168,0	80	137	28	38	15
	30	GG	1DF	162,97	161,60	168,0	90	137	38	48	15
	50	GG	2DF	162,97	161,60	168,0	100	137	60	60	18
	85	GG	2DF	162,97	161,60	168,0	100	137	95	95	20
72	20	GG	1DF	183,35	181,97	192,0	80	158	28	38	15
	30	GG	1DF	183,35	181,97	192,0	95	158	38	48	15
	50	GG	2DF	183,35	181,97	192,0	100	158	60	60	18
	85	GG	2DF	183,35	181,97	192,0	110	158	95	95	20
80	20	GG	1B	203,72	202,35	—	90	180	28	38	15
	30	GG	1B	203,72	202,35	—	100	180	38	48	15
	50	GG	2B	203,72	202,25	—	110	180	60	60	18
	85	GG	2B	203,72	202,35	—	110	180	95	95	20
90	20	GG	1B	229,18	227,81	—	90	204	28	38	15
	30	GG	1B	229,18	227,81	—	100	204	38	48	15
	50	GG	2B	229,18	227,81	—	110	204	60	60	18
	85	GG	2B	229,18	227,81	—	110	204	95	95	20
112	20	GG	1B	285,21	283,83	—	90	260	28	38	18
	30	GG	1B	285,21	283,83	—	100	260	38	48	18
	50	GG	2B	285,21	283,83	—	110	260	60	60	18
	85	GG	2B	285,21	283,83	—	110	260	95	95	24
144	20	GG	1B	366,69	365,32	—	90	341	28	38	20
	30	GG	1B	366,69	365,32	—	100	341	38	48	20
	50	GG	2B	366,69	365,32	—	110	341	60	60	20
	85	GG	2B	366,69	365,32	—	120	341	95	95	24
168	20	GG	1B	427,81	426,44	—	100	402	28	38	20
	30	GG	1B	427,81	426,44	—	100	402	38	48	20
	50	GG	2B	427,81	426,44	—	120	402	60	60	20
	85	GG	2B	427,81	426,44	—	120	402	95	95	24
192	20	GG	1B	488,92	487,55	—	100	463	28	38	20
	30	GG	1B	488,92	487,55	—	100	463	38	48	20
	50	GG	2B	488,92	487,55	—	130	463	60	60	20
	85	GG	2B	488,92	487,55	—	130	463	95	95	24

Fig. 1F

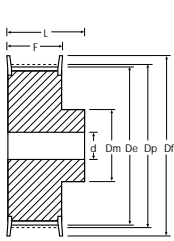


Fig. 1DF

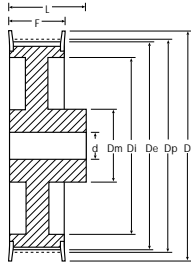
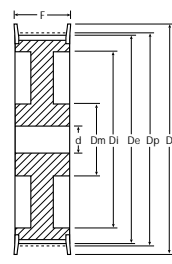
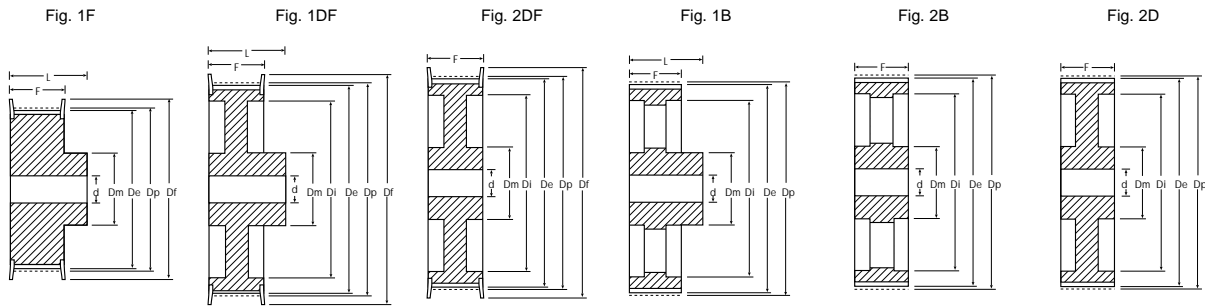


Fig. 2DF



Z	ANCHO CORREA	Mat.	Fig.	Dp	De	Df	Dm	Di	F	L	d
28	40	GG	1F	124,78	122,12	127	100	—	54	69	24
	55	GG	1F	124,78	122,12	127	100	—	70	85	24
	85	GG	1F	124,78	122,12	127	100	—	102	117	24
	115	GG	1F	124,78	122,12	127	100	—	133	148	32
	170	GG	1F	124,78	122,12	127	100	—	187	202	32
29	40	GG	1F	129,23	126,57	138	100	—	54	69	24
	55	GG	1F	129,23	126,57	138	100	—	70	85	24
	85	GG	1F	129,23	126,57	138	100	—	102	117	24
	115	GG	1F	129,23	126,57	138	100	—	133	148	32
	170	GG	1F	129,23	126,57	138	100	—	187	202	32
30	40	GG	1F	133,69	130,99	138	100	—	54	69	24
	55	GG	1F	133,69	130,99	138	100	—	70	85	24
	85	GG	1F	133,69	130,99	138	100	—	102	117	24
	115	GG	1F	133,69	130,99	138	100	—	133	148	32
	170	GG	1F	133,69	130,99	138	100	—	187	202	32
32	40	GG	1F	142,60	139,88	154	100	—	54	69	24
	55	GG	1F	142,60	139,88	154	100	—	70	85	24
	85	GG	1F	142,60	139,88	154	100	—	102	117	24
	115	GG	1F	142,60	139,88	154	100	—	133	148	32
	170	GG	1F	142,60	139,88	154	100	—	187	202	32
34	40	GG	1F	151,52	148,79	160	100	—	54	69	24
	55	GG	1F	151,52	148,79	160	100	—	70	85	24
	85	GG	1F	151,52	148,79	160	100	—	102	117	24
	115	GG	1F	151,52	148,79	160	100	—	133	148	32
	170	GG	1F	151,52	148,79	160	100	—	187	202	32
36	40	GG	1F	160,43	157,68	168	100	—	54	69	24
	55	GG	1F	160,43	157,68	168	100	—	70	85	24
	85	GG	1F	160,43	157,68	168	100	—	102	117	32
	115	GG	1F	160,43	157,68	168	120	—	133	148	32
	170	GG	1F	160,43	157,68	168	120	—	187	202	32
38	40	GG	1F	169,34	166,60	183	120	—	54	69	24
	55	GG	1F	169,34	166,60	183	120	—	70	85	24
	85	GG	1F	169,34	166,60	183	120	—	102	117	32
	115	GG	1F	169,34	166,60	183	120	—	133	148	32
	170	GG	1F	169,34	166,60	183	135	—	187	202	32
40	40	GG	1F	178,25	175,49	188	120	—	54	69	24
	55	GG	1F	178,25	175,49	188	120	—	70	85	24
	85	GG	1F	178,25	175,49	188	135	—	102	117	32
	115	GG	1F	178,25	175,49	188	135	—	133	148	32
	170	GG	1F	178,25	175,49	188	140	—	187	202	32
44	40	GG	1F	196,08	193,28	211	120	—	54	69	24
	55	GG	1F	196,08	193,28	211	120	—	70	85	24
	85	GG	1F	196,08	193,28	211	135	—	102	117	32
	115	GG	1F	196,08	193,28	211	140	—	133	148	32
	170	GG	1F	196,08	193,28	211	160	—	187	202	32
48	40	GG	1DF	213,90	211,11	226	135	172	54	69	24
	55	GG	2DF	213,90	211,11	226	135	172	70	70	24
	85	GG	1F	213,90	211,11	226	150	—	102	117	32
	115	GG	1F	213,90	211,11	226	150	—	133	148	32
	170	GG	1F	213,90	211,11	226	160	—	187	202	32

Polea dentada con agujero guía

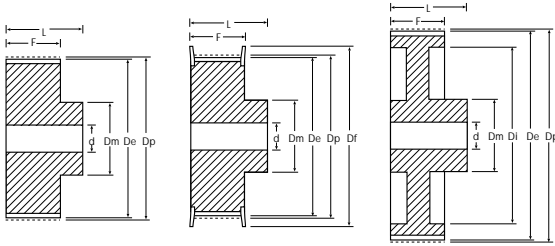


Z	ANCHO CORREA	Mat.	Fig.	Dp	De	Df	Dm	Di	F	L	d
56	40	GG	1DF	249,55	246,76	256	135	207	54	69	28
	55	GG	2DF	249,55	246,76	256	135	207	70	70	28
	85	GG	2DF	249,55	246,76	256	150	207	102	102	32
	115	GG	1F	249,55	246,76	256	150	—	133	148	32
	170	GG	1F	249,55	246,76	256	160	—	187	202	32
64	40	GG	1DF	285,21	282,41	296	135	242	54	69	28
	55	GG	2DF	285,21	282,41	296	135	242	70	70	28
	85	GG	2DF	285,21	282,41	296	150	242	102	102	32
	115	GG	2DF	285,21	282,41	296	150	242	133	133	32
	170	GG	1F	285,21	282,41	296	180	—	187	202	32
72	40	GG	1B	320,86	318,06	—	135	278	54	69	28
	55	GG	2B	320,86	318,06	—	135	278	70	70	28
	85	GG	2B	320,86	318,06	—	150	278	102	102	32
	115	GG	2B	320,86	318,06	—	150	278	133	133	32
	170	GG	2D	320,86	318,06	—	180	278	187	187	32
80	40	GG	1B	356,51	353,71	—	135	314	54	69	28
	55	GG	2B	356,51	353,71	—	135	314	70	70	28
	85	GG	2B	356,51	353,71	—	150	314	102	102	32
	115	GG	2B	356,51	353,71	—	150	314	133	133	32
	170	GG	2D	356,51	353,71	—	180	314	187	187	32
90	40	GG	1B	401,07	398,28	—	135	358	54	69	28
	55	GG	2B	401,07	398,28	—	135	358	70	70	28
	85	GG	2B	401,07	398,28	—	150	358	102	102	32
	115	GG	2B	401,07	398,28	—	150	358	133	133	32
	170	GG	2B	401,07	398,28	—	180	358	187	187	38
112	40	GG	1B	499,11	496,32	—	135	456	54	69	28
	55	GG	2B	499,11	496,32	—	135	456	70	70	28
	85	GG	2B	499,11	496,32	—	150	456	102	102	32
	115	GG	2B	499,11	496,32	—	150	456	133	133	32
	170	GG	2B	499,11	496,32	—	200	456	187	187	38
144	40	GG	1B	641,71	638,92	—	135	600	54	69	28
	55	GG	2B	641,71	638,92	—	135	600	70	70	28
	85	GG	2B	641,71	638,92	—	150	600	102	102	32
	115	GG	2B	641,71	638,92	—	165	600	133	133	32
	170	GG	2B	641,71	638,92	—	220	600	187	187	38
168	40	GG	1B	748,66	745,87	—	135	706	54	69	28
	55	GG	2B	748,66	745,87	—	135	706	70	70	28
	85	GG	2B	748,66	745,87	—	150	706	102	102	32
	115	GG	2B	748,66	745,87	—	165	706	133	133	32
	170	GG	2B	748,66	745,87	—	220	706	187	187	38
192	40	GG	1B	855,62	852,82	—	135	813	54	69	28
	55	GG	2B	855,62	852,82	—	135	813	70	70	28
	85	GG	2B	855,62	852,82	—	165	813	102	102	32
	115	GG	2B	855,62	852,82	—	165	813	133	133	32
	170	GG	2B	855,62	852,82	—	220	813	187	187	38
216	40	GG	1B	962,57	959,76	—	150	920	54	69	28
	55	GG	2B	962,57	959,76	—	150	920	70	70	28
	85	GG	2B	962,57	959,76	—	165	920	102	102	32
	115	GG	2B	962,57	959,76	—	165	920	133	133	32
	170	GG	2B	962,57	959,76	—	220	920	187	187	38

Fig. 1

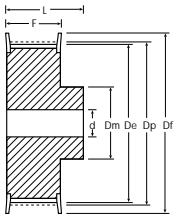
Fig. 1F

Fig. 1D

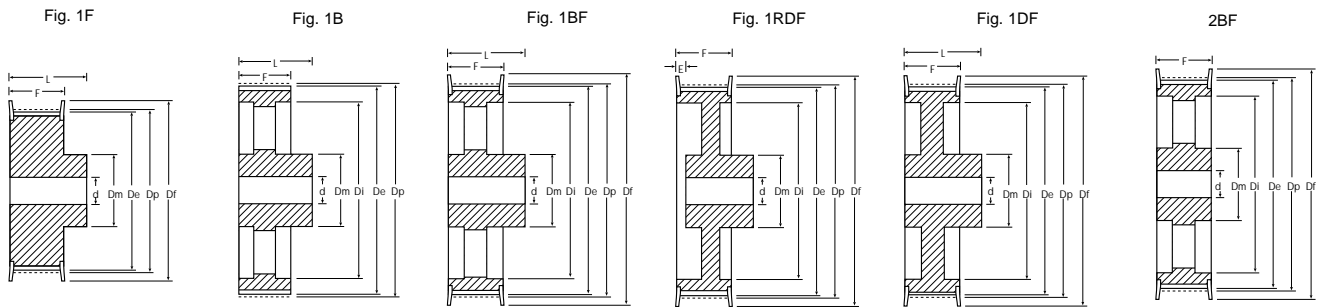


Z	ANCHO CORREA	Mat.	Fig.	Dp	De	Df	Dm	F	L	d	DIAMETRO MAXIMO
10	37	AC	1F	16,17	15,66	23	9,5	14,3	19,8	5	6,4
	37	AL	1F	16,17	15,66	23	9,5	14,3	19,8	5	6,4
11	37	AC	1F	17,79	17,28	23	9,5	14,3	19,8	5	6,4
	37	AL	1F	17,79	17,28	23	9,5	14,3	19,8	5	6,4
12	37	AC	1F	19,40	18,90	25	12,7	14,3	19,8	5	7,9
	37	AL	1F	19,40	18,90	25	12,7	14,3	19,8	5	7,9
14	37	AC	1F	22,64	22,13	28	14,3	14,3	19,8	6	9,5
	37	AL	1F	22,64	22,13	28	14,3	14,3	19,8	6	9,5
15	37	AC	1F	24,26	23,75	28	15,9	14,3	19,8	6	11,1
	37	AL	1F	24,26	23,75	28	15,9	14,3	19,8	6	11,1
16	37	AC	1F	25,87	25,36	32	17,5	14,3	19,8	6	12,7
	37	AL	1F	25,87	25,36	32	17,5	14,3	19,8	6	12,7
18	37	AC	1F	29,11	28,60	36	19,0	14,3	19,8	6	14,3
	37	AL	1F	29,11	28,60	36	19,0	14,3	19,8	6	14,3
20	37	AC	1F	32,34	31,83	38	23,8	14,3	22,2	6	17,5
	37	AL	1F	32,34	31,83	38	23,8	14,3	22,2	6	17,5
21	37	AC	1F	33,96	33,45	38	23,8	14,3	22,2	6	17,5
	37	AL	1F	33,96	33,45	38	23,8	14,3	22,2	6	17,5
22	37	AC	1F	35,57	35,07	42	25,4	14,3	22,2	6	19,1
	37	AL	1F	35,57	35,07	42	25,4	14,3	22,2	6	19,1
24	37	AC	1F	38,81	38,30	44	27,0	14,3	22,2	6	20,6
	37	AL	1F	38,81	38,30	44	27,0	14,3	22,2	6	20,6
26	37	AC	1F	42,04	41,53	48	30,0	14,3	22,2	6	23,0
	37	AL	1F	42,04	41,53	48	30,0	14,3	22,2	6	23,0
28	37	AC	1F	45,28	44,77	51	30,2	14,3	22,2	6	23,0
	37	AL	1F	45,28	44,77	51	30,2	14,3	22,2	6	23,0
30	37	AC	1F	48,51	48,00	54	34,9	14,3	22,2	6	23,0
	37	AL	1F	48,51	48,00	54	34,9	14,3	22,2	6	23,0
32	37	AL	1	51,74	51,24	—	38,0	14,3	25,4	8	23,0
36	37	AL	1	58,21	57,70	—	38,0	14,3	25,4	8	23,0
40	37	AL	1	64,68	64,17	—	38,0	14,3	25,4	8	23,0
42	37	AL	1D	67,91	67,41	—	38,0	14,3	25,4	8	23,0
44	37	AL	1D	71,15	70,64	—	38,0	14,3	25,4	8	23,0
48	37	AL	1D	77,62	77,11	—	38,0	14,3	25,4	8	23,0
60	37	AL	1D	97,02	96,51	—	38,0	14,3	25,4	8	23,0
72	37	AL	1D	116,43	115,92	—	38,0	14,3	25,4	8	23,0

Fig. 1F



Z	ANCHO CORREA	Mat.	Fig.	Dp	De	Df	Dm	F	L	E	d	DIAMETRO MAXIMO
10	50	AC	1F	30,32	29,59	36	22	19	26	—	6	13
	75	AC	1F	30,32	29,59	36	22	25	32	—	6	13
	100	AC	1F	30,32	29,59	36	22	31	38	—	6	13
12	50	AC	1F	36,38	35,62	42	28	19	26	—	6	17
	75	AC	1F	36,38	35,62	42	28	25	32	—	8	17
	100	AC	1F	36,38	35,62	42	28	31	38	—	8	17
13	50	AC	1F	39,41	38,65	44	30	19	26	—	6	19
	75	AC	1F	39,41	38,65	44	30	25	32	—	8	19
	100	AC	1F	39,41	38,65	44	30	31	38	—	8	19
14	50	AC	1F	42,45	41,68	48	33	19	26	—	8	20
	75	AC	1F	42,45	41,68	48	33	25	32	—	8	20
	100	AC	1F	42,45	41,68	48	33	31	38	—	8	20
15	50	AC	1F	45,48	44,72	51	36	19	26	—	8	23
	75	AC	1F	45,48	44,72	51	36	25	32	—	8	23
	100	AC	1F	45,48	44,72	51	36	31	38	—	8	23
16	50	AC	1F	48,51	47,75	54	38	19	26	—	8	23
	75	AC	1F	48,51	47,75	54	38	25	32	—	8	23
	100	AC	1F	48,51	47,75	54	38	31	38	—	8	23
17	50	AC	1F	51,54	50,78	57	40	19	26	—	10	24
	75	AC	1F	51,54	50,78	57	40	25	32	—	10	24
	100	AC	1F	51,54	50,78	57	40	31	38	—	10	24
18	50	AC	1F	54,57	53,81	60	40	19	26	—	10	24
	75	AC	1F	54,57	53,81	60	40	25	32	—	10	24
	100	AC	1F	54,57	53,81	60	40	31	38	—	10	24
19	50	AC	1F	57,61	56,84	60	40	19	26	—	10	24
	75	AC	1F	57,61	56,84	60	40	25	32	—	10	24
	100	AC	1F	57,61	56,84	60	40	31	38	—	10	24
20	50	AC	1F	60,64	59,88	66	46	19	26	—	10	28
	75	AC	1F	60,64	59,88	66	46	25	32	—	10	28
	100	AC	1F	60,64	59,88	66	46	31	38	—	10	28
21	50	AC	1F	63,67	62,91	71	46	19	26	—	10	28
	75	AC	1F	63,67	62,91	71	46	25	32	—	10	28
	100	AC	1F	63,67	62,91	71	46	31	38	—	10	28
22	50	AC	1F	66,70	65,94	75	50	19	26	—	10	30
	75	AC	1F	66,70	65,94	75	50	25	32	—	10	30
	100	AC	1F	66,70	65,94	75	50	31	38	—	10	30
24	50	AC	1F	72,77	72,00	79	50	19	26	—	12	30
	75	AC	1F	72,77	72,00	79	50	25	32	—	12	30
	100	AC	1F	72,77	72,00	79	50	31	38	—	12	30
26	50	AC	1F	78,83	78,07	87	50	19	26	—	12	30
	75	AC	1F	78,83	78,07	87	50	25	32	—	12	30
	100	AC	1F	78,83	78,07	87	50	31	38	—	12	30
28	50	AC	1F	84,89	84,13	91	50	19	26	—	12	30
	75	AC	1F	84,89	84,13	91	50	25	32	—	12	30
	100	AC	1F	84,89	84,13	91	50	31	38	—	12	30



Z	ANCHO CORREA	Mat.	Fig.	Dp	De	Df	Dm	F	L	E	d	DIAMETRO MAXIMO
30	50	AC	1F	90,96	90,20	97	50	19	26	—	12	30
	75	AC	1F	90,96	90,20	97	50	25	32	—	12	30
	100	AC	1F	90,96	90,20	97	50	31	38	—	12	30
32	50	AC	1F	97,02	96,26	103	50	19	26	—	12	30
	75	AC	1F	97,02	96,26	103	50	25	32	—	12	30
	100	AC	1F	97,02	96,26	103	50	31	38	—	12	30
36	50	GG	1DF	109,15	108,39	115	50	19	26	—	12	30
	75	GG	1DF	109,15	108,39	115	55	25	32	—	12	32
	100	GG	1RDF	109,15	108,39	115	55	32	32	6	12	32
40	50	GG	1DF	121,28	120,51	127	50	19	26	—	12	30
	75	GG	1DF	121,28	120,51	127	60	25	32	—	12	35
	100	GG	1RDF	121,28	120,51	127	60	32	32	6	12	35
44	50	GG	1BF	133,40	132,64	140	50	19	26	—	12	30
	75	GG	1BF	133,40	132,64	140	60	25	32	—	12	35
	100	GG	2BF	133,40	132,64	140	60	32	—	—	12	35
48	50	GG	1BF	145,53	144,77	152	50	19	26	—	12	30
	75	GG	1BF	145,53	144,77	152	60	25	32	—	12	35
	100	GG	2BF	145,53	144,77	152	60	32	—	—	12	35
60	50	GG	1B	181,91	181,15	—	50	19	28	—	15	30
	75	GG	1B	181,91	181,15	—	60	26	35	—	15	35
	100	GG	1B	181,91	181,15	—	60	32	35	—	15	35
72	50	GG	1B	218,30	217,53	—	50	19	28	—	15	30
	75	GG	1B	218,30	217,53	—	60	26	35	—	15	35
	100	GG	1B	218,30	217,53	—	60	32	35	—	15	35
84	50	GG	1B	254,68	253,92	—	50	19	28	—	15	30
	75	GG	1B	254,68	253,92	—	60	29	35	—	15	35
	100	GG	1B	254,68	253,92	—	60	32	35	—	15	35

Fig. 1F

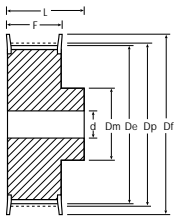
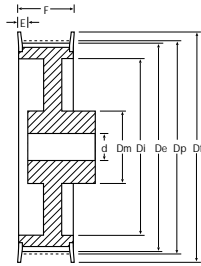
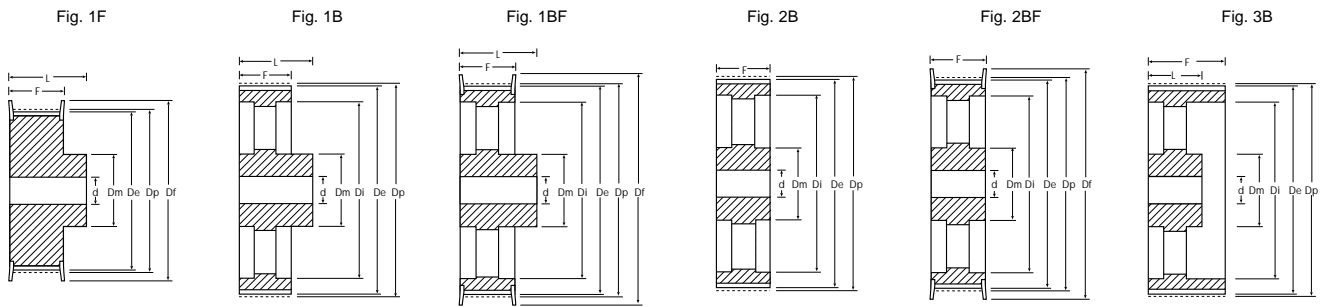


Fig. 1RDF

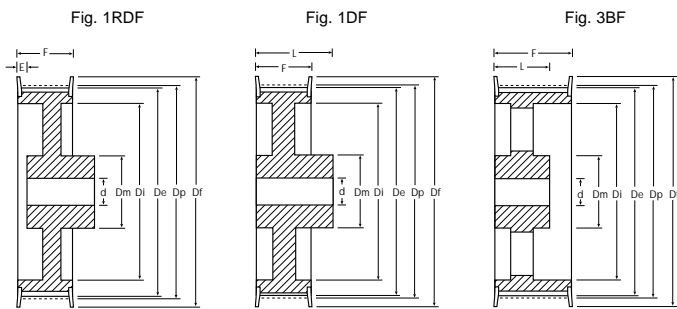


Z	ANCHO CORREA	Mat.	Fig.	Dp	De	Df	Dm	F	L	E	d	DIAMETRO MAXIMO
14	075	AC	1F	56,60	55,22	64	40	26,4	40	—	10	24
	100	AC	1F	56,60	55,22	63	40	31	41	—	10	24
	150	AC	1F	56,60	55,22	63	40	44	54	—	12	24
	200	AC	1F	56,60	55,22	63	40	58	68	—	12	24
16	075	AC	1F	64,68	63,31	70	46	26,4	40	—	10	28
	100	AC	1F	64,68	63,31	71	46	31	41	—	10	28
	150	AC	1F	64,68	63,31	71	46	44	54	—	12	28
	200	AC	1F	64,68	63,31	71	46	58	68	—	15	28
	300	AC	1F	64,68	63,31	71	46	84	94	—	15	28
18	075	AC	1F	72,77	71,39	79	54	26,4	40	—	12	32
	100	AC	1F	72,77	71,39	79	54	31	41	—	12	32
	150	AC	1F	72,77	71,39	79	54	44	54	—	12	32
	200	AC	1F	72,77	71,39	79	54	58	68	—	15	32
	300	AC	1F	72,77	71,39	79	54	84	94	—	15	32
19	075	AC	1F	76,81	75,44	82,5	58	26,4	40	—	12	34
	100	AC	1F	76,81	75,44	82	58	31	41	—	12	34
	150	AC	1F	76,81	75,44	82	58	44	54	—	12	34
	200	AC	1F	76,81	75,44	82	58	58	68	—	15	34
	300	AC	1F	76,81	75,44	82	58	84	94	—	15	34
20	075	AC	1F	80,85	79,48	87	62	26,4	40	—	12	35
	100	AC	1F	80,85	79,48	87	62	31	41	—	12	35
	150	AC	1F	80,85	79,48	87	62	44	54	—	12	35
	200	AC	1F	80,85	79,48	87	62	58	68	—	15	35
	300	AC	1F	80,85	79,48	87	62	84	94	—	15	35
21	075	AC	1F	84,89	83,52	91	67	26,4	40	—	12	38
	100	AC	1F	84,89	83,52	91	67	31	41	—	12	38
	150	AC	1F	84,89	83,52	91	67	44	54	—	12	38
	200	AC	1F	84,89	83,52	91	67	58	68	—	15	38
	300	AC	1F	84,89	83,52	91	67	84	94	—	15	38
22	075	AC	1F	88,94	87,56	94	70	26,4	40	—	12	41
	100	AC	1F	88,94	87,56	93	70	31	41	—	12	41
	150	AC	1F	88,94	87,56	93	70	44	54	—	12	41
	200	AC	1F	88,94	87,56	93	70	58	68	—	15	41
	300	AC	1F	88,94	87,56	93	70	84	94	—	15	41
24	075	AC	1F	97,02	95,65	102	75	26,4	40	—	12	45
	100	AC	1F	97,02	95,65	103	75	31	41	—	12	45
	150	AC	1F	97,02	95,65	103	75	44	54	—	12	45
	200	AC	1F	97,02	95,65	103	75	58	68	—	15	45
	300	AC	1F	97,02	95,65	103	75	84	94	—	15	45
26	075	AC	1F	105,11	103,73	112	80	26,4	40	—	15	45
	100	GG	1RDF	105,11	103,73	111	55	32	32	8	15	32
	150	GG	1RDF	105,11	103,73	111	55	45	35	18	15	32
	200	GG	1RDF	105,11	103,73	111	60	58	42	24	15	35
	300	GG	1RDF	105,11	103,73	111	60	84	57	35	15	35

Polea dentada con agujero guía

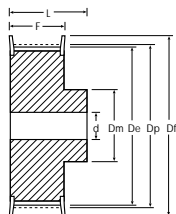


Z	ANCHO CORREA	Mat.	Fig.	Dp	De	Df	Dm	F	L	E	d	DIAMETRO MAXIMO
28	075	GG	1F	113,19	111,82	120	80	26,4	40	—	15	45
	100	GG	1RDF	113,19	111,82	119	60	32	32	8	15	35
	150	GG	1RDF	113,19	111,82	119	60	45	35	18	15	35
	200	GG	1RDF	113,19	111,82	119	60	58	42	24	15	35
	300	GG	1RDF	113,19	111,82	119	60	84	57	35	15	35
30	075	GG	1F	121,28	119,90	128	80	26,4	40	—	15	45
	100	GG	1RDF	121,28	119,90	127	60	32	32	8	15	35
	150	GG	1RDF	121,28	119,90	127	60	45	35	18	15	35
	200	GG	1RDF	121,28	119,90	127	70	58	42	24	15	40
	300	GG	1RDF	121,28	119,90	127	70	84	57	35	15	40
32	075	GG	1F	129,36	127,99	135	70	27	40	15	15	40
	100	GG	1DF	129,36	127,99	135	70	32	40	—	20	40
	150	GG	1RDF	129,36	127,99	135	70	45	45	8	20	40
	200	GG	1RDF	129,36	127,99	135	70	58	47	19	20	40
	300	GG	1RDF	129,36	127,99	135	70	84	57	35	20	40
36	075	GG	1F	145,53	144,16	152	80	26,4	40	—	20	45
	100	GG	1DF	145,53	144,16	152	80	32	40	—	20	45
	150	GG	1RDF	145,53	144,16	152	80	45	45	8	20	45
	200	GG	1RDF	145,53	144,16	152	80	58	47	19	20	45
	300	GG	1RDF	145,53	144,16	152	80	84	57	35	20	45
40	075	GG	1F	161,70	160,33	168	80	26,4	40	—	20	45
	100	GG	1BF	161,70	160,33	168	80	32	40	—	20	45
	150	GG	2BF	161,70	160,33	168	80	45	—	—	20	45
	200	GG	3BF	161,70	160,33	168	80	58	45	—	20	45
	300	GG	3BF	161,70	160,33	168	80	84	55	—	20	45
44	075	GG	1BF	177,87	176,50	184	80	26,4	40	—	20	45
	100	GG	1BF	177,87	176,50	184	80	32	40	—	20	45
	150	GG	2BF	177,87	176,50	184	80	45	—	—	20	45
	200	GG	3BF	177,87	176,50	184	80	58	45	—	20	45
	300	GG	3BF	177,87	176,50	184	80	84	55	—	20	45
48	075	GG	1BF	194,04	192,67	200	90	26,4	40	—	20	45
	100	GG	1BF	194,04	192,67	200	80	32	40	—	20	45
	150	GG	2BF	194,04	192,67	200	80	45	—	—	20	45
	200	GG	3BF	194,04	192,67	200	85	58	45	—	20	48
	300	GG	3BF	194,04	192,67	200	85	84	55	—	20	48
60	100	GG	1B	242,55	241,18	—	80	34	45	—	20	45
	150	GG	2B	242,55	241,18	—	85	46	—	—	20	48
	200	GG	3B	242,55	241,18	—	90	60	50	—	20	50
	300	GG	3B	242,55	241,18	—	100	86	55	—	20	57
72	100	GG	1B	291,06	289,69	—	80	34	45	—	20	45
	150	GG	2B	291,06	289,69	—	85	46	—	—	20	48
	200	GG	3B	291,06	289,69	—	90	60	50	—	20	50
	300	GG	3B	291,06	289,69	—	100	86	55	—	20	57



Z	ANCHO CORREA	Mat.	Fig.	Dp	De	Df	Dm	F	L	E	d	DIAMETRO MAXIMO
84	100	GG	1B	339,57	338,20	—	80	34	45	—	20	45
	150	GG	2B	339,57	338,20	—	85	46	—	—	20	48
	200	GG	3B	339,57	338,20	—	90	60	50	—	20	50
	300	GG	3B	339,57	338,20	—	100	86	55	—	20	57
96	100	GG	1B	388,08	386,71	—	80	34	45	—	20	45
	150	GG	2B	388,08	386,71	—	85	46	—	—	20	48
	200	GG	3B	388,08	386,71	—	90	60	50	—	20	50
	300	GG	3B	388,08	386,71	—	100	86	55	—	20	57
120	100	GG	1B	485,10	483,73	—	90	34	50	—	20	50
	150	GG	1B	485,10	483,73	—	95	46	55	—	24	55
	200	GG	3B	485,10	483,73	—	100	60	—	—	24	57
	300	GG	3B	485,10	483,73	—	110	86	65	—	24	62

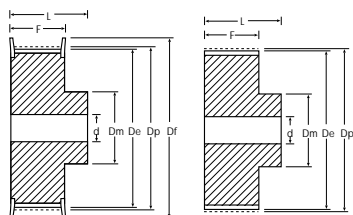
Fig. 1F



Z	ANCHO CORREA	Mat.	Fig.	De	Df	Dm	F	L	d
10	10	AL	1F	14,65	19,5	8	15	21	—
	16	AL	1F	14,65	19,5	8	21	27	—
	25	AL	1F	14,65	19,5	8	30	36	—
12	10	AL	1F	17,85	23,0	10	15	21	—
	16	AL	1F	17,85	23,0	10	21	27	—
	25	AL	1F	17,85	23,0	10	30	36	—
14	10	AL	1F	21,05	25,0	13	15	21	—
	16	AL	1F	21,05	25,0	13	21	27	—
	25	AL	1F	21,05	25,0	13	30	36	—
15	10	AL	1F	22,65	28,0	16	15	21	6
	16	AL	1F	22,65	28,0	16	21	27	6
	25	AL	1F	22,65	28,0	16	30	36	6
16	10	AL	1F	24,20	32,0	18	15	21	6
	16	AL	1F	24,20	32,0	18	21	27	6
	25	AL	1F	24,20	32,0	18	30	36	6
18	10	AL	1F	27,40	32,0	19	15	21	6
	16	AL	1F	27,40	32,0	19	21	27	6
	25	AL	1F	27,40	32,0	19	30	36	6
19	10	AL	1F	29,00	36,0	22	15	21	6
	16	AL	1F	29,00	36,0	22	21	27	6
	25	AL	1F	29,00	36,0	22	30	36	6
20	10	AL	1F	30,60	36,0	23	15	21	6
	16	AL	1F	30,60	36,0	23	21	27	6
	25	AL	1F	30,60	36,0	23	30	36	6
22	10	AL	1F	33,85	38,0	24	15	21	6
	16	AL	1F	33,85	38,0	24	21	27	6
	25	AL	1F	33,85	38,0	24	30	36	6
24	10	AL	1F	37,00	42,0	26	15	21	6
	16	AL	1F	37,00	42,0	26	21	27	6
	25	AL	1F	37,00	42,0	26	30	36	8
25	10	AL	1F	38,60	44,0	26	15	21	6
	16	AL	1F	38,60	44,0	26	21	27	6
	25	AL	1F	38,60	44,0	26	30	36	8
26	10	AL	1F	40,20	44,0	26	15	21	6
	16	AL	1F	40,20	44,0	26	21	27	6
	25	AL	1F	40,20	44,0	26	30	36	8
27	10	AL	1F	41,80	48,0	30	15	21	8
	16	AL	1F	41,80	48,0	30	21	27	8
	25	AL	1F	41,80	48,0	30	30	36	8
28	10	AL	1F	43,35	48,0	32	15	21	8
	16	AL	1F	43,35	48,0	32	21	27	8
	25	AL	1F	43,35	48,0	32	30	36	8
30	10	AL	1F	46,55	51,0	34	15	21	8
	16	AL	1F	46,55	51,0	34	21	27	8
	25	AL	1F	46,55	51,0	34	30	36	8

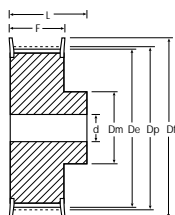
Fig. 1F

Fig. 1



Z	ANCHO CORREA	Mat.	Fig.	De	Df	Dm	F	L	d
32	10	AL	1F	49,70	54,0	38	15	21	8
	16	AL	1F	49,70	54,0	38	21	27	8
	25	AL	1F	49,70	54,0	38	30	36	8
36	10	AL	1F	56,05	63,0	38	15	21	8
	16	AL	1F	56,05	63,0	38	21	27	8
	25	AL	1F	56,05	63,0	38	30	36	8
40	10	AL	1F	62,45	66,0	40	15	21	8
	16	AL	1F	62,45	66,0	40	21	27	8
	25	AL	1F	62,45	66,0	40	30	36	8
42	10	AL	1F	65,60	71,0	40	15	21	8
	16	AL	1F	65,60	71,0	40	21	27	8
	25	AL	1F	65,60	71,0	40	30	36	8
44	10	AL	1	68,80	—	45	15	21	8
	16	AL	1	68,80	—	45	21	27	8
	25	AL	1	68,80	—	45	30	36	8
48	10	AL	1	75,15	—	50	15	21	8
	16	AL	1	75,15	—	50	21	27	8
	25	AL	1	75,15	—	50	30	36	8
60	10	AL	1	94,25	—	65	15	21	8
	16	AL	1	94,25	—	65	21	27	8
	25	AL	1	94,25	—	65	30	36	8

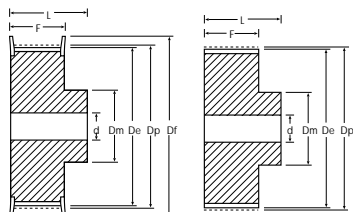
Fig. 1F



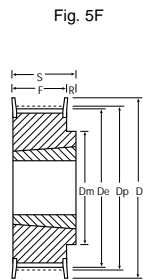
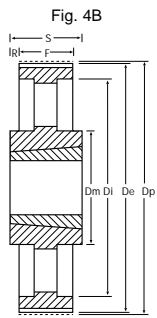
Z	ANCHO CORREA	Mat.	Fig.	De	Df	Dm	F	L	d
12	16	AL	1F	36,35	42	28	21	31	6
	25	AL	1F	36,35	42	28	30	40	6
14	16	AL	1F	42,70	48	32	21	31	8
	25	AL	1F	42,70	48	32	30	40	8
15	16	AL	1F	45,90	51	32	21	31	8
	25	AL	1F	45,90	51	32	30	40	8
16	16	AL	1F	49,05	54	35	21	31	8
	25	AL	1F	49,05	54	35	30	40	8
18	16	AL	1F	55,45	60	40	21	31	8
	25	AL	1F	55,45	60	40	30	40	8
	32	AL	1F	55,45	60	40	37	47	10
	50	AL	1F	55,45	60	40	56	66	10
19	16	AL	1F	58,60	66	44	21	31	8
	25	AL	1F	58,60	66	44	30	40	8
	32	AL	1F	58,60	66	44	37	47	10
	50	AL	1F	58,60	66	44	56	66	10
20	16	AL	1F	61,80	66	46	21	31	8
	25	AL	1F	61,80	66	46	30	40	8
	32	AL	1F	61,80	66	46	37	47	12
	50	AL	1F	61,80	66	46	56	66	12
22	16	AL	1F	68,15	75	52	21	31	8
	25	AL	1F	68,15	75	52	30	40	8
	32	AL	1F	68,15	75	52	37	47	12
	50	AL	1F	68,15	75	52	56	66	12
24	16	AL	1F	74,55	83	58	21	31	8
	25	AL	1F	74,55	83	58	30	40	8
	32	AL	1F	74,55	83	58	37	47	12
	50	AL	1F	74,55	83	58	56	66	12
25	16	AL	1F	77,70	83	60	21	31	8
	25	AL	1F	77,70	83	60	30	40	8
	32	AL	1F	77,70	83	60	37	47	12
	50	AL	1F	77,70	83	60	56	66	12
26	16	AL	1F	80,90	87	60	21	31	8
	25	AL	1F	80,90	87	60	30	40	8
	32	AL	1F	80,90	87	60	37	47	12
	50	AL	1F	80,90	87	60	56	66	12
27	16	AL	1F	84,10	91	60	21	31	8
	25	AL	1F	84,10	91	60	30	40	8
	32	AL	1F	84,10	91	60	37	47	12
	50	AL	1F	84,10	91	60	56	66	12
28	16	AL	1F	87,25	93	60	21	31	8
	25	AL	1F	87,25	93	60	30	40	8
	32	AL	1F	87,25	93	60	37	47	12
	50	AL	1F	87,25	93	60	56	66	12

Fig. 1F

Fig. 1



Z	ANCHO CORREA	Mat.	Fig.	De	Df	Dm	F	L	d
30	16	AL	1F	93,65	97	60	21	31	8
	25	AL	1F	93,65	97	60	30	40	8
	32	AL	1F	93,65	97	60	37	47	12
	50	AL	1F	93,65	97	60	56	66	12
32	16	AL	1F	100,00	106	65	21	31	10
	25	AL	1F	100,00	106	65	30	40	10
	32	AL	1F	100,00	106	65	37	47	12
	50	AL	1F	100,00	106	65	56	66	12
36	16	AL	1F	112,75	119	70	21	31	10
	25	AL	1F	112,75	119	70	30	40	10
	32	AL	1F	112,75	119	70	37	47	16
	50	AL	1F	112,75	119	70	56	66	16
40	16	AL	1F	125,45	131	80	21	31	10
	25	AL	1F	125,45	131	80	30	40	10
	32	AL	1F	125,45	131	80	37	47	16
	50	AL	1F	125,45	131	80	56	66	16
44	16	AL	1	138,20	—	88	21	31	10
	25	AL	1	138,20	—	88	30	40	10
	32	AL	1	138,20	—	88	37	47	16
	50	AL	1	138,20	—	88	56	66	16
48	16	AL	1	150,95	—	95	21	31	16
	25	AL	1	150,95	—	95	30	40	16
	32	AL	1	150,95	—	95	37	47	16
	50	AL	1	150,95	—	95	56	66	16
60	16	AL	1	189,10	—	110	21	31	16
	25	AL	1	189,10	—	110	30	40	16
	32	AL	1	189,10	—	110	37	47	16
	50	AL	1	189,10	—	110	56	66	16



Z	ANCHO CORREA	Mat.	Fig.	CASQUILLO CONICO	Dp	De	Df	Dm	Di	F	S	R
34	15	AC	5F	1008	54,11	52,97	57	43	—	20,5	22	1,5
36	15	AC	5F	1108	57,30	56,16	60	44	—	20,5	22	1,5
38	15	AC	5F	1108	60,48	59,34	66	48	—	20,5	22	1,5
40	15	AC	5F	1108	63,66	62,52	71	52	—	20,5	22	1,5
44	15	AC	5F	1108	70,03	68,89	75	54	—	20,5	22	1,5
48	15	AC	5F	1210	76,39	75,25	83	64	—	20,5	25	4,5
56	15	GG	5F	1210	89,13	87,99	93	70	—	20,5	25	4,5
64	15	GG	5F	1210	101,86	100,72	106	78	—	20,5	25	4,5
72	15	GG	5F	1610	114,59	113,45	119	90	—	20,5	25	4,5
80	15	GG	5F	1610	127,32	126,18	135	92	—	20,5	25	4,5
90	15	GG	4B	1610	143,24	142,10	—	92	126	20,5	25	2,3
112	15	GG	4B	1610	178,25	177,11	—	92	162	20,5	25	2,3
136	15	GG	4B	2012	216,45	215,31	—	106	199	20,5	32	5,8
150	15	GG	4B	2012	238,73	237,59	—	106	222	20,5	32	5,8

Fig. 7F

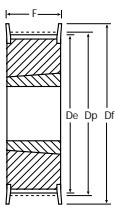


Fig. 8F

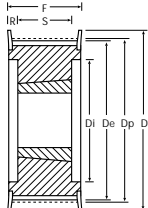


Fig. 9F

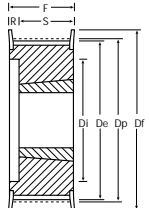
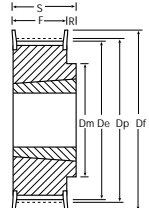
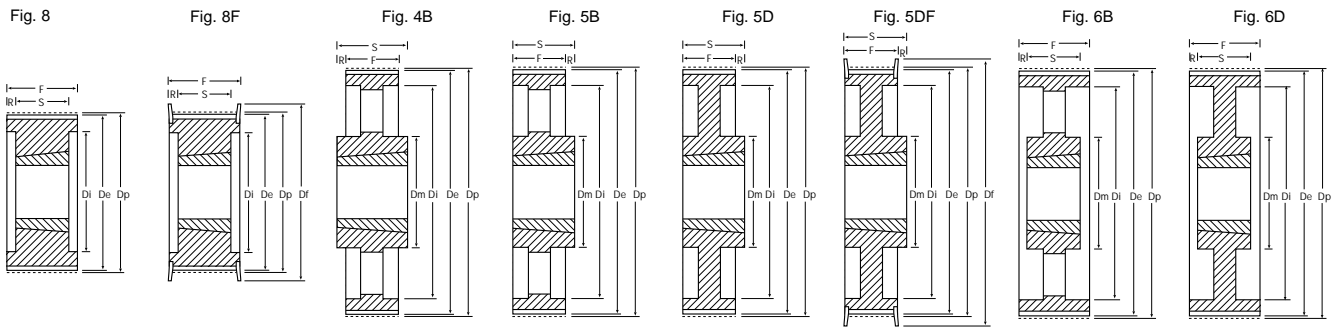


Fig. 5F



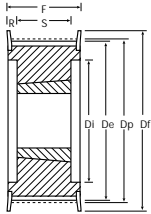
Z	ANCHO CORREA		Mat.	Fig.	CASQUILLO CONICO		Dp	De	Df	Dm	Di	F	S	R
22	20	GG	9F	1008	56,02	54,65	60,0	—	41	28	22	6,0		
	30	GG	9F	1008	56,02	54,65	60,0	—	41	38	22	16,0		
24	20	GG	9F	1108	61,12	59,75	66,0	—	42	28	22	6,0		
	30	GG	9F	1108	61,12	59,75	66,0	—	42	38	22	16,0		
26	20	GG	9F	1108	66,21	64,84	71,0	—	46	28	22	6,0		
	30	GG	9F	1108	66,21	64,84	71,0	—	46	38	22	16,0		
28	20	GG	9F	1108	71,30	70,08	75,0	—	50	28	22	6,0		
	30	AC	9F	1210	71,30	70,08	75,0	—	50	38	25	13,0		
	50	AC	9F	1210	71,30	70,08	75,0	—	50	60	25	35,0		
30	20	GG	9F	1108	76,39	75,13	83,0	—	58	28	22	6,0		
	30	AC	7F	1615	76,39	75,13	83,0	—	—	38	38	—		
	50	AC	9F	1615	76,39	75,13	83,0	—	58	60	38	22,0		
32	20	GG	9F	1610	81,49	80,16	87,0	—	62	28	25	3,0		
	30	GG	7F	1615	81,49	80,16	87,0	—	—	38	38	—		
	50	GG	9F	1615	81,49	80,16	87,0	—	62	60	38	22,0		
34	20	GG	9F	1610	86,58	85,22	91,0	—	65	28	25	3,0		
	30	GG	7F	1615	86,58	85,22	91,0	—	—	38	38	—		
	50	GG	9F	1615	86,58	85,22	91,0	—	65	60	38	22,0		
	85	GG	8F	1615	86,58	85,22	91,0	—	65	95	38	28,5		
36	20	GG	9F	1610	91,67	90,30	98,5	—	68	28	25	3,0		
	30	GG	7F	1615	91,67	90,30	98,5	—	—	38	38	—		
	50	GG	9F	1615	91,67	90,30	98,5	—	68	60	38	22,0		
	85	GG	8F	1615	91,67	90,30	98,5	—	68	95	38	28,5		
38	20	GG	9F	1610	96,77	95,39	103,0	—	72	28	25	3,0		
	30	GG	7F	1615	96,77	95,39	103,0	—	—	38	38	—		
	50	GG	7F	1615	96,77	95,39	103,0	—	72	60	38	22,0		
	85	GG	8F	1615	96,77	95,39	103,0	—	72	95	38	28,5		
40	20	GG	9F	1610	101,86	100,49	106,0	—	76	28	25	3,0		
	30	GG	7F	1615	101,86	100,49	106,0	—	—	38	38	—		
	50	GG	8F	2012	101,86	100,49	106,0	—	82	60	32	14,0		
	85	GG	8F	2012	101,86	100,49	106,0	—	82	95	32	31,5		
44	20	GG	5F	2012	112,05	110,67	119,0	93	—	28	32	4,0		
	30	GG	8F	2012	112,05	110,67	119,0	—	91	38	32	3,0		
	50	GG	8F	2012	112,05	110,67	119,0	—	91	60	32	14,0		
	85	GG	8F	2012	112,05	110,67	119,0	—	91	95	32	31,5		
48	20	GG	5F	2012	122,23	120,86	127,0	96	—	28	32	4,0		
	30	GG	8F	2012	122,23	120,86	127,0	—	95	38	32	3,0		
	50	GG	8F	2012	122,23	120,86	127,0	—	96	60	32	14,0		
	85	GG	8F	2517	122,23	120,86	127,0	—	100	95	45	25,0		
56	20	GG	5F	2012	142,60	141,23	148,0	110	—	28	32	4,0		
	30	GG	8F	2012	142,60	141,23	148,0	—	117	38	32	3,0		
	50	GG	8F	2517	142,60	141,23	148,0	—	116	60	45	7,5		
	85	GG	8F	2517	142,60	141,23	148,0	—	117	95	45	25,0		

Polea dentada para casquillo cónico



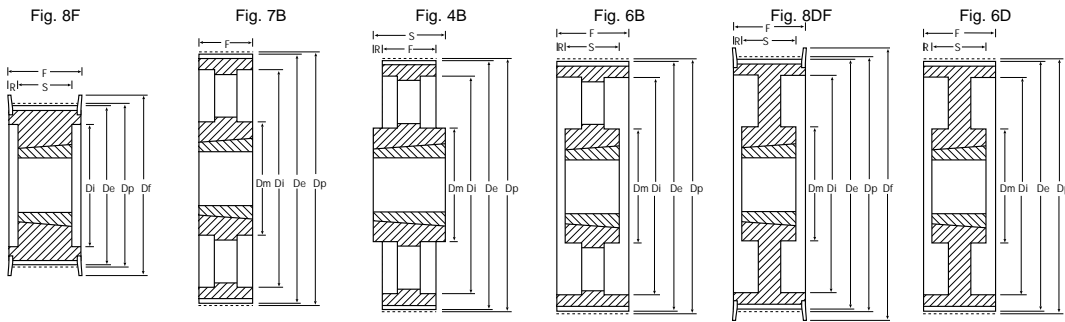
Z	ANCHO CORREA		Fig.	CASQUILLO CONICO									
	Mat.	Fig.		Dp	De	Df	Dm	Di	F	S	R		
64	20	GG	5DF	2012	162,97	161,60	168,0	110	137	28	32	4,0	
	30	GG	5F	2517	162,97	161,60	168,0	125	—	38	45	7,0	
	50	GG	8F	2517	162,97	161,60	168,0	—	137	60	45	7,5	
	85	GG	8F	2517	162,97	161,60	168,0	—	137	95	45	25,0	
72	20	GG	5DF	2012	183,35	181,97	192,0	110	158	28	32	4,0	
	30	GG	5DF	2517	183,35	181,97	192,0	125	158	38	45	7,0	
	50	GG	8F	2517	183,35	181,97	192,0	125	158	60	45	7,5	
	85	GG	8F	3020	183,35	181,97	192,0	—	158	95	51	22,0	
80	20	GG	5D	2012	203,72	202,35	—	110	180	28	32	4,0	
	30	GG	5D	2517	203,72	202,35	—	125	180	38	45	7,0	
	50	GG	8	3020	203,72	202,35	—	—	180	60	51	4,5	
	85	GG	8	3020	203,72	202,35	—	—	180	95	51	22,0	
90	20	GG	5B	2012	229,18	227,81	—	110	204	28	32	4,0	
	30	GG	5B	2517	229,18	227,81	—	125	204	38	45	7,0	
	50	GG	6D	3020	229,18	227,81	—	170	204	60	51	4,5	
	85	GG	6D	3020	229,18	227,81	—	170	204	95	51	22,0	
112	30	GG	5B	2517	285,21	283,83	—	125	260	38	45	7,0	
	50	GG	6D	3020	285,21	283,83	—	170	260	60	51	4,5	
	85	GG	6D	3020	285,21	283,83	—	170	260	95	51	22,0	
144	30	GG	5B	2517	366,69	365,32	—	125	341	38	45	7,0	
	50	GG	6B	3020	366,69	365,32	—	170	341	60	51	4,5	
	85	GG	6B	3525	366,69	365,32	—	190	341	95	65	15,0	
168	50	GG	4B	3525	427,81	426,44	—	190	402	60	65	2,5	
	85	GG	6B	3525	427,81	426,44	—	190	402	95	65	15,0	
192	50	GG	4B	3525	488,92	487,55	—	190	460	60	65	2,5	
	85	GG	6B	3525	488,92	487,55	—	190	460	95	65	15,0	

Fig. 8F



Z	ANCHO CORREA	Mat.	Fig.	CASQUILLO CONICO	Dp	De	Df	Dm	Di	F	S	R
28	40	GG	8F	2012	124,78	122,12	127	—	98	54	32	11,0
	55	GG	8F	2012	124,78	122,12	127	—	98	70	32	19,0
	85	GG	8F	2517	124,78	122,12	127	—	98	102	45	28,5
	115	GG	8F	2517	124,78	122,12	127	—	98	133	45	44,0
29	40	GG	8F	2012	129,23	126,57	138	—	100	54	32	11,0
	55	GG	8F	2012	129,23	126,57	138	—	100	70	32	19,0
	85	GG	8F	2517	129,23	126,57	138	—	100	102	45	28,5
	115	GG	8F	2517	129,23	126,57	138	—	100	133	45	44,0
30	40	GG	8F	2012	133,69	130,99	138	—	100	54	32	11,0
	55	GG	8F	2517	133,69	130,99	138	—	100	70	45	12,5
	85	GG	8F	2517	133,69	130,99	138	—	100	102	45	28,5
	115	GG	8F	2517	133,69	130,99	138	—	100	133	45	44,0
32	40	GG	8F	2012	142,60	139,88	154	—	104	54	32	11,0
	55	GG	8F	2517	142,60	139,88	154	—	108	70	45	12,5
	85	GG	8F	2517	142,60	139,88	154	—	108	102	45	28,5
	115	GG	8F	2517	142,60	139,88	154	—	108	133	45	44,0
34	40	GG	8F	2517	151,52	148,79	160	—	110	54	45	4,5
	55	GG	8F	2517	151,52	148,79	160	—	110	70	45	12,5
	85	GG	8F	2517	151,52	148,79	160	—	110	102	45	28,5
	115	GG	8F	2517	151,52	148,79	160	—	110	133	45	44,0
36	40	GG	8F	2517	160,43	157,68	168	—	120	54	45	4,5
	55	GG	8F	2517	160,43	157,68	168	—	120	70	45	12,5
	85	GG	8F	3020	160,43	157,68	168	—	125	102	51	25,5
	115	GG	8F	3020	160,43	157,68	168	—	125	133	51	41,0
38	40	GG	8F	2517	169,34	166,60	183	—	130	54	45	4,5
	55	GG	8F	2517	169,34	166,60	183	—	130	70	45	12,5
	85	GG	8F	3020	169,34	166,60	183	—	130	102	51	25,5
	115	GG	8F	3020	169,34	166,60	183	—	130	133	51	41,0
	170	GG	8F	3030	169,34	166,60	183	—	130	187	76	55,5
40	40	GG	8F	2517	178,25	175,49	188	—	138	54	45	4,5
	55	GG	8F	2517	178,25	175,49	188	—	138	70	45	12,5
	85	GG	8F	3020	178,25	175,49	188	—	138	102	51	25,5
	115	GG	8F	3020	178,25	175,49	188	—	140	133	51	41,0
	170	GG	8F	3030	178,25	175,49	188	—	140	187	76	55,5
44	40	GG	8F	3020	196,08	193,28	211	—	155	54	51	1,5
	55	GG	8F	3020	196,08	193,28	211	—	155	70	51	9,5
	85	GG	8F	3030	196,08	193,28	211	—	155	102	76	13,0
	115	GG	8F	3030	196,08	193,28	211	—	155	133	76	28,5
	170	GG	8F	3535	196,08	193,28	211	—	155	187	89	49,0
48	40	GG	8F	3020	213,90	211,11	226	—	170	54	51	1,5
	55	GG	8F	3020	213,90	211,11	226	—	170	70	51	9,5
	85	GG	8F	3030	213,90	211,11	226	—	170	102	76	13,0
	115	GG	8F	3030	213,90	211,11	226	—	170	133	76	28,5
	170	GG	8F	3535	213,90	211,11	226	—	175	187	89	49,0

Polea dentada para casquillo cónico

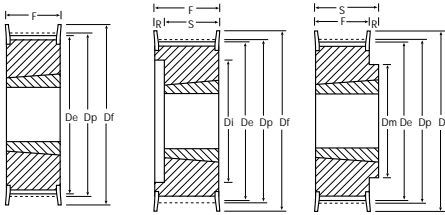


Z	ANCHO CORREA	Mat.	Fig.	CASQUILLO CONICO	Dp	De	Df	Dm	Di	F	S	R
56	40	GG	8DF	3020	249,55	246,76	256	170	208	54	51	1,5
	55	GG	8DF	3020	249,55	246,76	256	170	208	70	51	9,5
	85	GG	8F	3525	249,55	246,76	256	190	210	102	65	18,5
	115	GG	8F	3535	249,55	246,76	256	—	210	133	89	22,0
	170	GG	8F	3535	249,55	246,76	256	—	210	187	89	49,0
64	40	GG	8DF	3020	285,21	282,41	296	170	242	54	51	1,5
	55	GG	8DF	3020	285,21	282,41	296	170	242	70	51	9,5
	85	GG	8DF	3525	285,21	282,41	296	190	242	102	65	18,5
	115	GG	8DF	3535	285,21	282,41	296	190	242	133	89	22,0
	170	GG	8F	4040	285,21	282,41	296	—	240	187	102	42,5
72	40	GG	6D	3020	320,86	318,06	—	170	280	54	51	1,5
	55	GG	6D	3020	320,86	318,06	—	170	280	70	51	9,5
	85	GG	6D	3525	320,86	318,06	—	190	280	102	65	18,5
	115	GG	6D	3535	320,86	318,06	—	190	280	133	89	22,0
	170	GG	6D	4040	320,86	318,06	—	230	280	187	102	42,5
80	40	GG	6B	3020	356,51	353,71	—	170	315	54	51	1,5
	55	GG	6B	3020	356,51	353,71	—	170	315	70	51	9,5
	85	GG	6B	3525	356,51	353,71	—	190	315	102	65	18,5
	115	GG	6B	3535	356,51	353,71	—	190	315	133	89	22,0
	170	GG	6D	4040	356,51	353,71	—	230	315	187	102	42,5
90	40	GG	6B	3020	401,07	398,28	—	170	360	54	51	1,5
	55	GG	6B	3020	401,07	398,28	—	170	360	70	51	9,5
	85	GG	6B	3525	401,07	398,28	—	190	360	102	65	18,5
	115	GG	6B	3535	401,07	398,28	—	190	360	133	89	22,0
	170	GG	6B	4040	401,07	398,28	—	230	360	187	102	42,5
112	40	GG	6B	3020	499,11	496,32	—	170	457	54	51	1,5
	55	GG	6B	3020	499,11	496,32	—	170	457	70	51	9,5
	85	GG	6B	3525	499,11	496,32	—	190	457	102	65	18,5
	115	GG	6B	3535	499,11	496,32	—	190	457	133	89	22,0
	170	GG	6B	5050	499,11	496,32	—	265	456	187	127	30,0
144	40	GG	6B	3020	641,71	638,92	—	170	600	54	51	1,5
	55	GG	6B	3020	641,71	638,92	—	170	600	70	51	9,5
	85	GG	6B	3525	641,71	638,92	—	190	600	102	65	18,5
	115	GG	6B	4040	641,71	638,92	—	230	600	133	102	15,5
	170	GG	6B	5050	641,71	638,92	—	265	600	187	127	30,0
168	40	GG	6B	3020	748,66	745,87	—	170	706	54	51	1,5
	55	GG	6B	3020	748,66	745,87	—	170	706	70	51	9,5
	85	GG	6B	3525	748,66	745,87	—	190	706	102	65	18,5
	115	GG	6B	4040	748,66	745,87	—	230	706	133	102	15,5
	170	GG	6B	5050	748,66	745,87	—	265	706	187	127	30,0
192	40	GG	6B	3020	855,62	852,82	—	170	813	54	51	1,5
	55	GG	6B	3020	855,62	852,82	—	170	813	70	51	9,5
	85	GG	7B	4040	855,62	852,82	—	230	813	102	102	—
	115	GG	6B	4040	855,62	852,82	—	230	813	133	102	15,5
	170	GG	6B	5050	855,62	852,82	—	265	813	187	127	30,0
216	40	GG	6B	3020	962,57	959,76	—	170	920	54	51	1,5
	55	GG	4B	3535	962,57	959,76	—	190	920	70	89	9,5
	85	GG	7B	4040	962,57	959,76	—	230	920	102	102	—
	115	GG	6B	4040	962,57	959,76	—	230	920	133	102	15,5
	170	GG	6B	5050	962,57	959,76	—	265	920	187	127	30,0

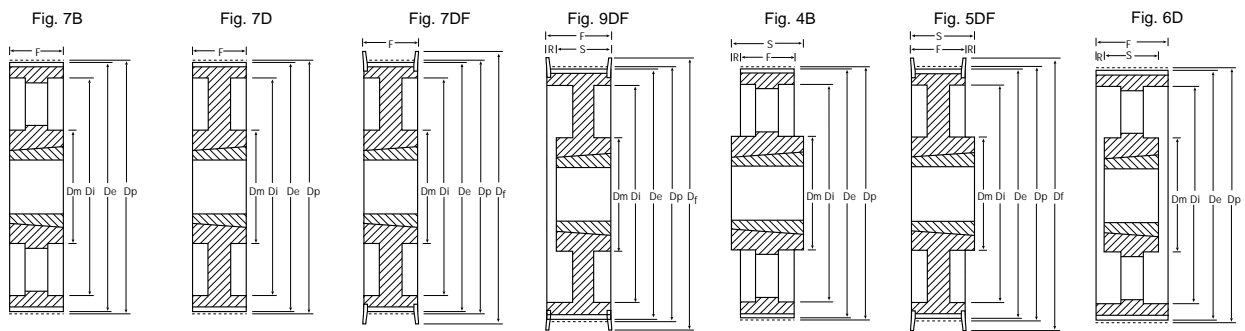
Fig. 7F

Fig. 9F

Fig. 5F



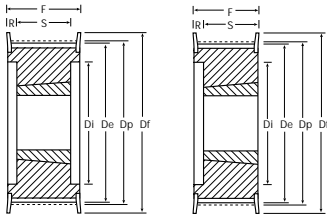
Z	ANCHO CORREA	Mat.	Fig.	CASQUILLO CONICO	Dp	De	Df	Dm	Di	F	S	R
18	50	AC	5F	1108	54,57	53,81	60	44	—	19	22	3,0
	75	AC	7F	1108	54,57	53,81	60	—	—	25	25	—
	100	AC	9F	1108	54,57	53,81	60	—	38	31	22	9,0
19	50	AC	5F	1108	57,61	56,84	60	44	—	19	22	3,0
	75	AC	7F	1108	57,61	56,84	60	—	—	25	25	—
	100	AC	9F	1108	57,61	56,84	60	—	38	31	22	9,0
20	50	AC	5F	1108	60,64	59,88	66	48	—	19	22	3,0
	75	AC	7F	1108	60,64	59,88	66	—	—	25	25	—
	100	AC	9F	1108	60,64	59,88	66	—	45	31	22	9,0
21	50	AC	5F	1108	63,67	62,91	71	48	—	19	22	3,0
	75	AC	7F	1108	63,67	62,91	71	—	—	25	25	—
	100	AC	9F	1108	63,67	62,91	71	—	47	31	22	9,0
22	50	AC	5F	1108	66,70	65,94	75	51	—	19	22	3,0
	75	AC	7F	1108	66,70	65,94	75	—	—	25	25	—
	100	AC	9F	1108	66,70	65,94	75	—	51	31	22	9,0
23	50	GG	5F	1108	69,73	68,97	79	54	—	19	22	3,0
	75	GG	7F	1108	69,73	68,97	79	—	—	25	25	—
	100	GG	9F	1108	69,73	68,97	79	—	54	32	22	10,0
24	50	GG	5F	1108	72,77	72,00	79	54	—	19	22	3,0
	75	GG	7F	1108	72,77	72,00	79	—	—	25	25	—
	100	GG	9F	1108	72,77	72,00	79	—	54	32	22	10,0
25	50	GG	5F	1108	75,80	75,04	83	56	—	19	22	3,0
	75	GG	7F	1108	75,80	75,04	83	—	—	25	25	—
	100	GG	9F	1108	75,80	75,04	83	—	56	32	22	10,0
26	50	GG	5F	1108	78,83	78,07	87	60	—	19	22	3,0
	75	GG	7F	1108	78,83	78,07	87	—	—	25	25	—
	100	GG	9F	1108	78,83	78,07	87	—	60	32	22	10,0
27	50	GG	5F	1108	81,86	81,10	87	65	—	19	22	3,0
	75	GG	7F	1108	81,86	81,10	87	—	—	25	25	—
	100	GG	9F	1108	81,86	81,10	87	—	62	32	22	10,0
28	50	GG	5F	1108	84,89	84,13	91	65	—	19	22	3,0
	75	GG	7F	1108	84,89	84,13	91	—	—	25	25	—
	100	GG	9F	1108	84,89	84,13	91	—	65	32	22	10,0
30	50	GG	5F	1108	90,96	90,20	97	70	—	19	22	3,0
	75	GG	7F	1108	90,96	90,20	97	—	—	25	25	—
	100	GG	9F	1210	90,96	90,20	97	—	71	32	25	7,0
32	50	GG	5F	1108	97,02	96,26	103	74	—	19	22	3,0
	75	GG	7F	1108	97,02	96,26	103	—	—	25	25	—
	100	GG	9F	1210	97,02	96,26	103	—	75	32	25	7,0
36	50	GG	5F	1108	109,15	108,39	115	87	—	19	22	3,0
	75	GG	7F	1610	109,15	108,39	115	—	—	25	25	—
	100	GG	9F	1610	109,15	108,39	115	—	89	32	25	7,0
40	50	GG	5F	1610	121,28	120,51	127	97	—	19	25	6,0
	75	GG	7F	1610	121,28	120,51	127	—	—	25	25	—
	100	GG	9F	1610	121,28	120,51	127	—	101	32	25	7,0



Z	ANCHO CORREA	Mat.	Fig.	CASQUILLO CONICO	Dp	De	Df	Dm	Di	F	S	R
48	50	GG	5DF	1610	145,53	144,77	152	88	124	19	25	6,0
	75	GG	7DF	1610	145,53	144,77	152	92	124	25	25	—
	100	GG	9DF	1610	145,53	144,77	152	92	124	32	25	7,0
60	50	GG	4B	1610	181,91	181,15	—	92	166	19	25	3,0
	75	GG	7D	1610	181,91	181,15	—	92	166	25	25	—
	100	GG	6D	1610	181,91	181,15	—	92	166	32	25	3,5
72	50	GG	4B	1610	218,30	217,53	—	92	202	19	25	3,0
	75	GG	7B	1610	218,30	217,53	—	92	202	25	25	—
	100	GG	7B	2012	218,30	217,53	—	106	202	32	32	—
84	50	GG	4B	1610	254,68	253,92	—	92	236	19	25	3,0
	75	GG	4B	2012	254,68	253,92	—	106	236	25	32	3,5
	100	GG	7B	2012	254,68	253,92	—	106	236	32	32	—
96	50	GG	4B	2012	291,06	290,30	—	106	270	19	32	6,5
	75	GG	4B	2012	291,06	290,30	—	106	270	25	32	3,5
	100	GG	7B	2012	291,06	290,30	—	106	270	32	32	—
120	50	GG	4B	2012	363,83	363,07	—	106	343	19	32	6,5
	75	GG	4B	2012	363,83	363,07	—	106	343	25	32	3,5
	100	GG	7B	2012	363,83	363,07	—	106	343	32	32	—

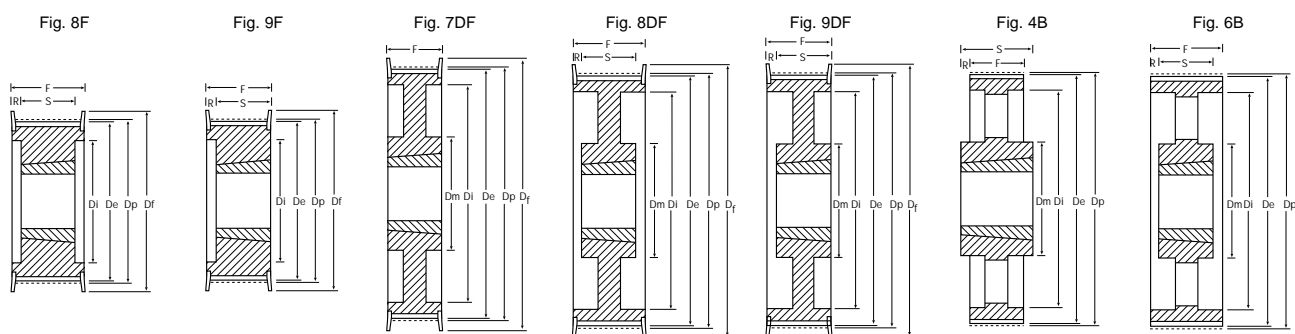
Fig. 8F

Fig. 9F

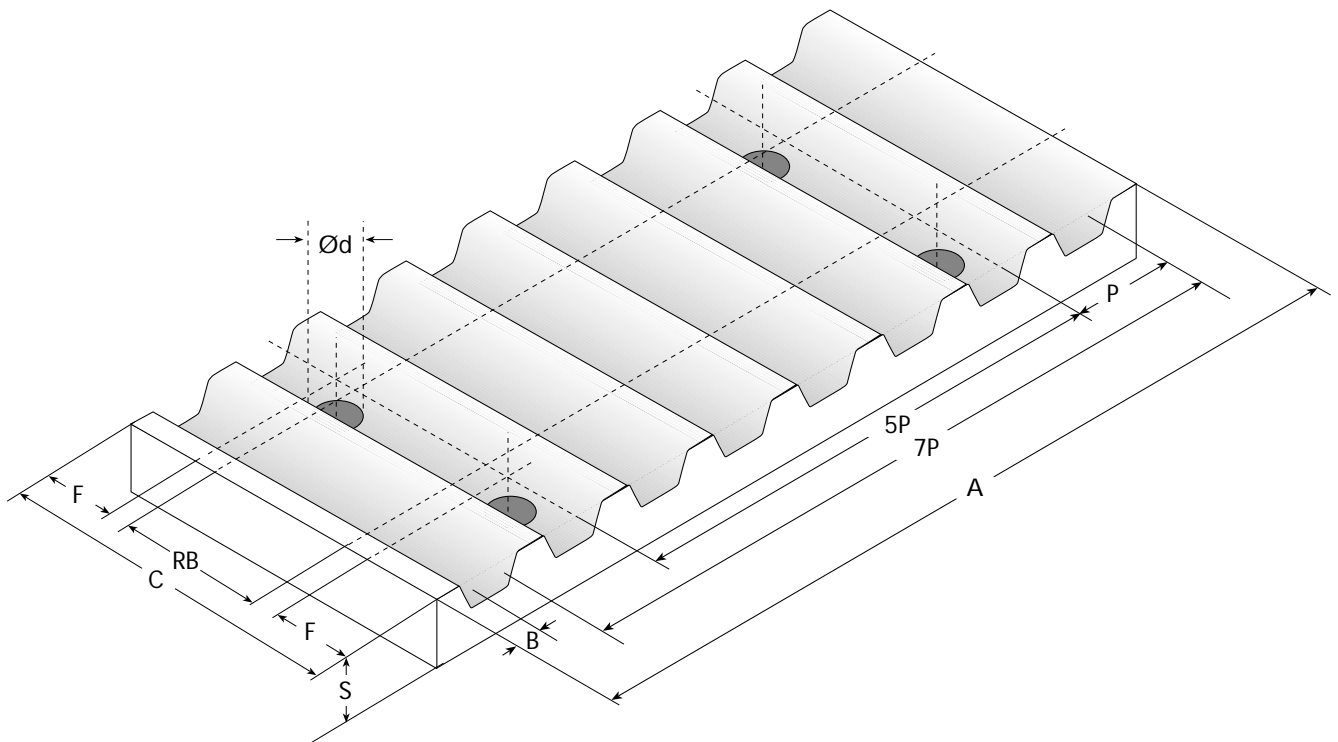


Z	ANCHO CORREA		Fig.	CASQUILLO CONICO		Dp	De	Df	Dm	Di	F	S	R
	Mat.												
16	100	AC	9F	1108		64,68	63,31	71	—	45	31	22	9,0
18	100	AC	9F	1210		72,77	71,39	79	—	52	31	25	6,0
	150	AC	9F	1210		72,77	71,39	79	—	53	45	25	20,0
	200	AC	9F	1210		72,77	71,39	79	—	52	58	25	33,0
19	100	AC	9F	1210		76,81	75,44	83	—	56	31	25	6,0
	150	AC	9F	1210		76,81	75,44	83	—	56	45	25	20,0
	200	AC	9F	1610		76,81	75,44	83	—	56	58	25	33,0
20	100	AC	9F	1210		80,55	79,48	87	—	60	31	25	6,0
	150	AC	9F	1210		80,55	79,48	87	—	60	45	25	20,0
	200	AC	9F	1610		80,55	79,48	87	—	60	58	25	33,0
	300	AC	8F	1615		80,55	79,48	87	—	65	84	38	23,0
21	100	GG	9F	1210		84,89	83,52	91	—	63	32	25	7,0
	150	GG	9F	1210		84,89	83,52	91	—	64	45	25	20,0
	200	GG	9F	1610		84,89	83,52	91	—	64	58	25	33,0
	300	GG	8F	1615		84,89	83,52	91	—	66	84	38	23,0
22	100	GG	9F	1210		88,94	87,56	93	—	67	32	25	7,0
	150	GG	9F	1210		88,94	87,56	93	—	68	45	25	20,0
	200	GG	9F	1610		88,94	87,56	93	—	68	58	25	33,0
	300	GG	8F	1615		88,94	87,56	93	—	67	84	38	23,0
23	100	GG	9F	1610		92,98	91,61	97	—	71	32	25	7,0
	150	GG	9F	1610		92,98	91,61	97	—	71	45	25	20,0
	200	GG	9F	1610		92,98	91,61	97	—	71	58	25	33,0
	300	GG	8F	1615		92,98	91,61	97	—	71	84	38	23,0
24	100	GG	9F	1610		97,02	95,65	103	—	75	32	25	7,0
	150	GG	9F	1610		97,02	95,65	103	—	74	45	25	20,0
	200	GG	9F	1610		97,02	95,65	103	—	74	58	25	33,0
	300	GG	8F	1615		97,02	95,65	103	—	75	84	38	23,0
25	100	GG	9F	1610		101,06	99,69	106	—	79	32	25	7,0
	150	GG	9F	1610		101,06	99,69	106	—	78	45	25	20,0
	200	GG	9F	1610		101,06	99,69	106	—	78	58	25	33,0
	300	GG	8F	1615		101,06	99,69	106	—	79	84	38	23,0
26	100	GG	9F	1610		105,11	103,73	111	—	83	32	25	7,0
	150	GG	9F	1610		105,11	103,73	111	—	82	45	25	20,0
	200	GG	9F	1610		105,11	103,73	111	—	82	58	25	33,0
	300	GG	8F	1615		105,11	103,73	111	—	83	84	38	23,0
27	100	GG	9F	1610		109,15	107,78	115	—	87	32	25	7,0
	150	GG	9F	1610		109,15	107,78	115	—	87	45	25	20,0
	200	GG	9F	1610		109,15	107,78	115	—	87	58	25	33,0
	300	GG	8F	2012		109,15	107,78	115	—	87	84	32	26,0
28	100	GG	9F	1610		113,19	111,82	119	—	91	32	25	7,0
	150	GG	9F	1610		113,19	111,82	119	—	91	45	25	20,0
	200	GG	9F	1610		113,19	111,82	119	—	91	58	25	33,0
	300	GG	8F	2012		113,19	111,82	119	—	91	84	32	26,0

Polea dentada para casquillo cónico



Z	ANCHO CORREA	Mat.	Fig.	CASQUILLO CONICO	Dp	De	Df	Dm	Di	F	S	R
30	100	GG	9F	1610	121,28	119,90	127	—	99	32	25	7,0
	150	GG	9F	1610	121,28	119,90	127	—	99	45	25	20,0
	200	GG	9F	1610	121,28	119,90	127	—	99	58	25	33,0
	300	GG	8F	2012	121,28	119,90	127	—	99	84	32	26,0
32	100	GG	9DF	1610	129,36	127,99	135	92	108	32	25	7,0
	150	GG	9DF	1610	129,36	127,99	135	92	108	45	25	20,0
	200	GG	9F	2012	129,36	127,99	135	—	107	58	32	26,0
	300	GG	8F	2517	129,36	127,99	135	—	107	84	45	19,5
36	100	GG	9DF	1610	145,53	144,16	152	92	124	32	25	7,0
	150	GG	9DF	1610	145,53	144,16	152	92	124	45	25	20,0
	200	GG	9DF	2012	145,53	144,16	152	102	124	58	32	26,0
	300	GG	8F	2517	145,53	144,16	152	—	124	84	45	19,5
40	100	GG	9DF	1610	161,70	160,33	168	92	140	32	25	7,0
	150	GG	9DF	1610	161,70	160,33	168	92	140	45	25	20,0
	200	GG	9DF	2012	161,70	160,33	168	106	140	58	32	26,0
	300	GG	8F	2517	161,70	160,33	168	—	137	84	45	19,5
44	100	GG	7DF	2012	177,87	176,50	184	106	153	32	32	—
	150	GG	9DF	2012	177,87	176,50	184	106	153	45	32	13,0
	200	GG	9DF	2012	177,87	176,50	184	106	153	58	32	26,0
	300	GG	8DF	2517	177,87	176,50	184	119	153	86	45	20,5
48	100	GG	7DF	2012	194,04	192,67	200	106	169	32	32	—
	150	GG	9DF	2012	194,04	192,67	200	106	169	45	32	13,0
	200	GG	9DF	2517	194,04	192,67	200	119	169	58	45	13,0
	300	GG	8DF	2517	194,04	192,67	200	119	169	86	45	20,5
60	100	GG	6B	2012	242,55	241,18	—	106	223	34	32	1,0
	150	GG	6B	2012	242,55	241,18	—	106	223	46	32	7,0
	200	GG	6B	2517	242,55	241,18	—	119	223	60	45	7,5
	300	GG	6B	2517	242,55	241,18	—	119	223	86	45	20,5
72	100	GG	6B	2012	291,06	289,69	—	106	270	34	32	1,0
	150	GG	6B	2012	291,06	289,69	—	106	270	46	32	7,0
	200	GG	6B	2517	291,06	289,69	—	119	270	60	45	7,5
	300	GG	6B	2517	291,06	289,69	—	119	270	86	45	20,5
84	100	GG	6B	2012	339,57	338,20	—	106	318	34	32	1,0
	150	GG	6B	2012	339,57	338,20	—	106	320	46	32	7,0
	200	GG	6B	2517	339,57	338,20	—	119	320	60	45	7,5
	300	GG	6B	2517	339,57	338,20	—	119	320	86	45	20,5
96	100	GG	4B	2517	388,08	386,71	—	119	366	34	45	5,5
	150	GG	6B	2517	388,08	386,71	—	119	366	46	45	0,5
	200	GG	6B	2517	388,08	386,71	—	119	366	60	45	7,5
	300	GG	6B	3030	388,08	386,71	—	150	362	86	76	5,0
120	100	GG	4B	2517	485,10	483,73	—	119	462	34	45	5,5
	150	GG	6B	2517	485,10	483,73	—	119	462	46	45	0,5
	200	GG	6B	2517	485,10	483,73	—	119	462	60	45	7,5
	300	GG	6B	3030	485,10	483,73	—	150	460	86	76	5,0



RB= Ancho de correa

	RB	C	A	B	d	S	F
T5+AT5	10	29	41,8	3,2	5,5	8	6
	16	35	41,8	3,2	5,5	8	6
	25	44	41,8	3,2	5,5	8	6
T10+AT10	16	41	80	5	9	15	8
	25	50	80	5	9	15	8
	32	57	80	5	9	15	8
	50	75	80	5	9	15	8
5 M HTD®-HTD®33	10	28	41,8	3,2	5,5	8	6
	15	34	41,8	3,2	5,5	8	6
	25	44	41,8	3,2	5,5	8	6
8 M HTD®-HTD®33	20	45	66	5	9	15	8
	30	55	66	5	9	15	8
	50	75	66	5	9	15	8
	85	110	66	5	9	15	8
14 M HTD®-HTD®33	40	71	116	9	11	22	10
	55	86	116	9	11	22	10
	85	116	116	9	11	22	10
	115	146	116	9	11	22	10
	170	201	116	9	11	22	10

- Cualquier medida intermedia de las que constan en este catálogo.
- Tipos XH y XXH con agujero guía y para casquillo cónico.
- Cualquier figura o tipo y paso bajo plano y en cualquier material.
- Las poleas con y sin casquillo cónico se pueden suministrar también con el agujero mecanizado a cualquier diámetro de eje.

Se han hecho todos los esfuerzos para asegurar la exactitud y la comprensión de la información de este catálogo. Sin embargo no podemos asumir la responsabilidad de errores, omisiones y de modificaciones efectuadas después de la impresión. Tampoco podemos asumir la responsabilidad en el caso de que estos productos sean usados en especiales o excepcionales circunstancias sin previo aviso o información de algún miembro representativo de SIT, S.A.